

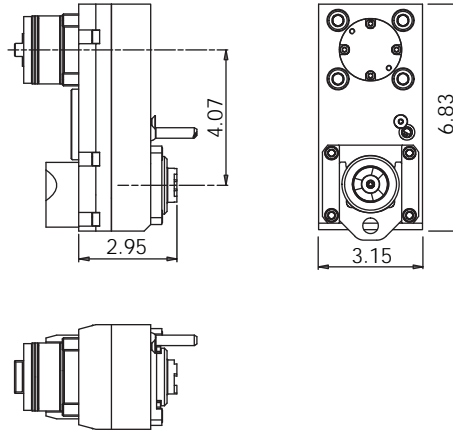
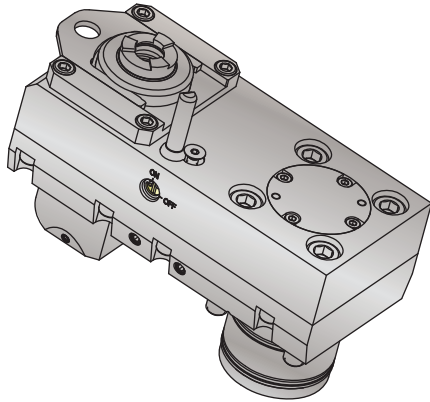
VELOCITY TOOLING FOR OKUMA 2SP-H/2SP-HM Series

2SP-150HM Tools



2SP-150HM Cross Tools • ERAX-20 Outputs

Notes



Wrenches Included with Tools

Maximum Drill Ø		Maximum Mill Ø	
EXT	1/2"	EXT	15/32"
IC	1/2"	IC	15/32"

Turret Plugs 14.430.0.0207.0

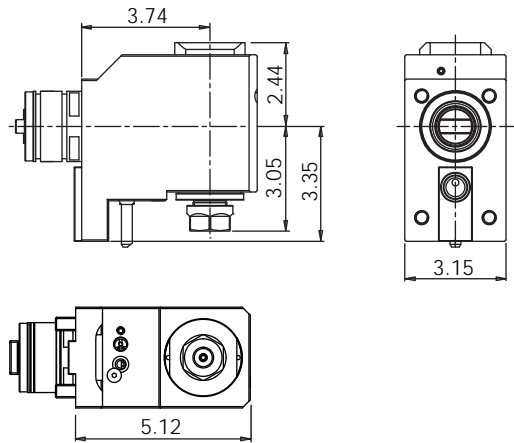
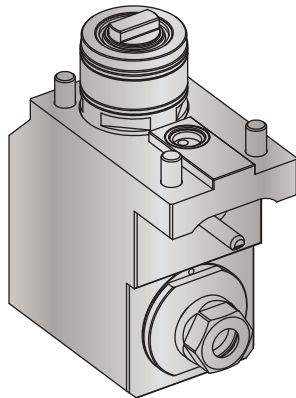
* 1,450 psi internal coolant (IC) cross tool **CAN** be run without coolant; the coolant sealing mechanism can be completely dis-engaged.

All coolant thru live tools require 30 micron coolant filtration nominal, 50 micron coolant filtration absolute.

Tool #	Coolant	Output	Rotation (In:Out)	Ratio (In:Out)	Max. RPM	Torque	Spindle Wrench	Collet Wrench
14.101.0.0336.0	EXT	ERAX-20	CW:CW	1:1	6,000	40 Nm	Special	7117.20000
14.101.0.0311.0	IC & EXT* 1,450 psi	ERAXC-20	CW:CW	1:1	6,000	40 Nm	Special	7117.20000

2SP-150HM Face Tools • ER-20 Outputs

Notes



Wrenches Included with Tools

Maximum Drill Ø		Maximum Mill Ø	
EXT	1/2"	EXT	15/32"
IC	1/2"	IC	15/32"

Turret Plugs 14.430.0.0207.0

* 1,450 psi internal coolant (IC) face tool **CAN** be run without coolant; the coolant sealing mechanism can be completely dis-engaged.

All coolant thru live tools require 30 micron coolant filtration nominal, 50 micron coolant filtration absolute.

Tool #	Coolant	Output	Rotation (In:Out)	Ratio (In:Out)	Max. RPM	Torque	Spindle Wrench	Collet Wrench
14.800.0.0291.0	EXT	ER-20	CW:CW	1:1	6,000	40 Nm	Special	7111.20000
14.800.0.0436.0	IC & EXT* 1,450 psi	ERC-20	CW:CW	1:1	6,000	40 Nm	Special	7111.20000