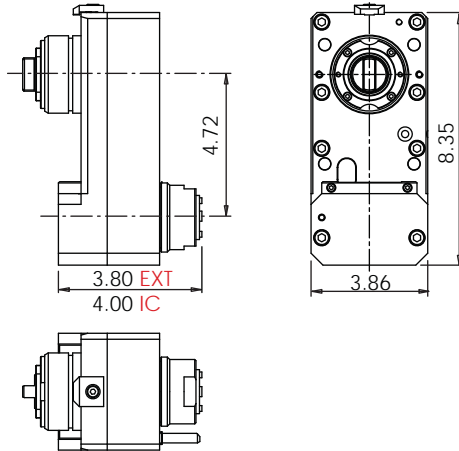
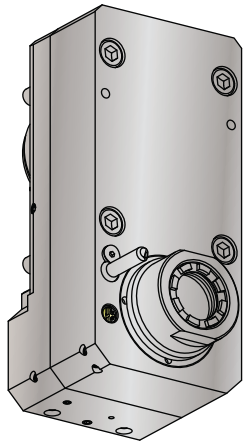


VELOCITY TOOLING FOR OKUMA 2SP-H/2SP-HM Series

2SP-250HM Tools



2SP-250HM Cross Tools • ERAX-32 Outputs



Notes

Wrenches Included with Tools

| Maximum Drill Ø | | Maximum Mill Ø | |
|-----------------|--------|----------------|--------|
| EXT | 13/16" | EXT | 23/32" |
| IC | 3/4" | IC | 23/32" |

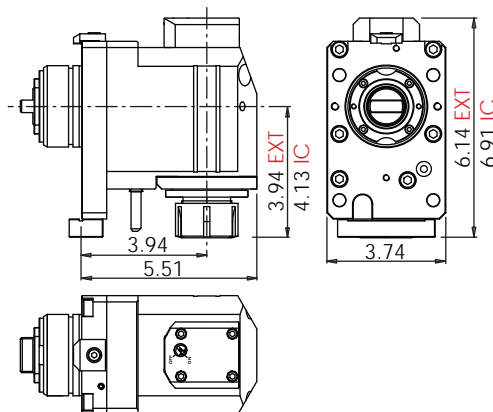
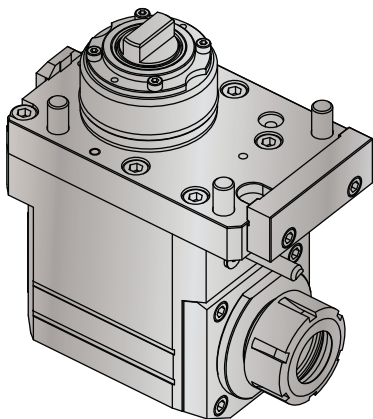
Turret Plugs **14.430.0.0205.0**

* 1,450 psi internal coolant (IC) cross tool **CAN** be run without coolant; the coolant sealing mechanism can be completely dis-engaged.

All coolant thru live tools require 30 micron coolant filtration nominal, 50 micron coolant filtration absolute.

| Tool # | Coolant | Output | Rotation (In:Out) | Ratio (In:Out) | Max. RPM | Torque | Spindle Wrench | Collet Wrench |
|-----------------|------------------------|----------|-------------------|----------------|----------|--------|----------------|---------------|
| 14.101.0.0182.0 | EXT | ERAX-32 | CW:CW | 1:1 | 5,000 | 85 Nm | Special | 7117.32000 |
| 14.101.0.0184.0 | IC & EXT* 1,450 psi | ERAXC-32 | CW:CW | 1:1 | 5,000 | 85 Nm | Special | 7117.32000 |

2SP-250HM Face Tools • ER-32 Outputs



Notes

Wrenches Included with Tools

| Maximum Drill Ø | | Maximum Mill Ø | |
|-----------------|--------|----------------|--------|
| EXT | 13/16" | EXT | 23/32" |
| IC | 3/4" | IC | 23/32" |

Turret Plugs **14.430.0.0205.0**

* 1,450 psi internal coolant (IC) face tool **CAN** be run without coolant; the coolant sealing mechanism can be completely dis-engaged.

All coolant thru live tools require 30 micron coolant filtration nominal, 50 micron coolant filtration absolute.

| Tool # | Coolant | Output | Rotation (In:Out) | Ratio (In:Out) | Max. RPM | Torque | Spindle Wrench | Collet Wrench |
|-----------------|------------------------|--------|-------------------|----------------|----------|--------|----------------|---------------|
| 14.800.0.0266.0 | EXT | ER-32 | CW:CW | 1:1 | 5,000 | 85 Nm | Special | 7111.32000 |
| 14.800.0.0314.0 | IC & EXT* 1,450 psi | ERC-32 | CW:CW | 1:1 | 5,000 | 85 Nm | Special | 7111.32000 |