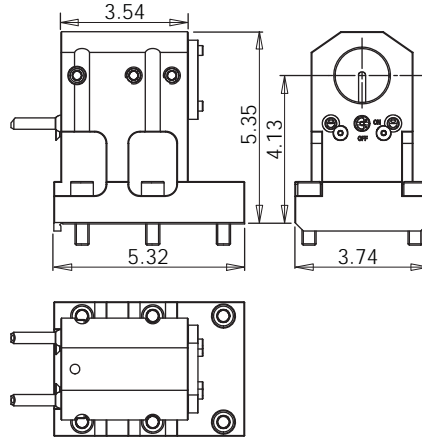
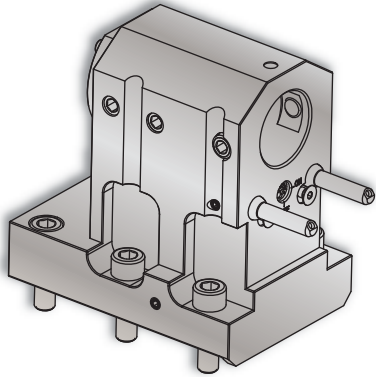


VELOCITY TOOLING FOR OKUMA 2SP-H/2SP-HM Series

2SP-250H/HM Tools



2SP-250H/HM ID Holder



Notes

VELOCITY/SU-matic ID holders can be used with both internal and external coolant.
Internal Coolant Plates are included with all *VELOCITY/SU-matic* multitasking turret ID holders.

Turret Plugs | **14.430.0.0205.0**

VELOCITY/SU-matic tooling for OKUMA is manufactured on OKUMA machine tools.

Coolant filtration is recommended when using ID holders with internal coolant plates.

Tool #

Reversible
(Main/Sub)

Coolant

ID

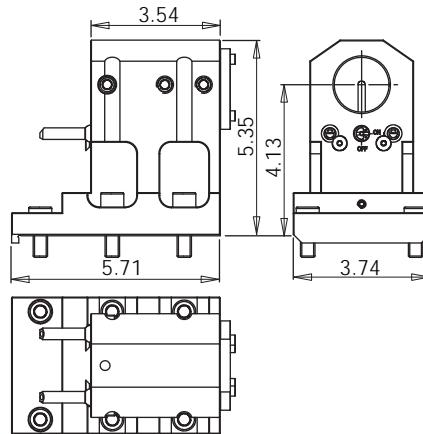
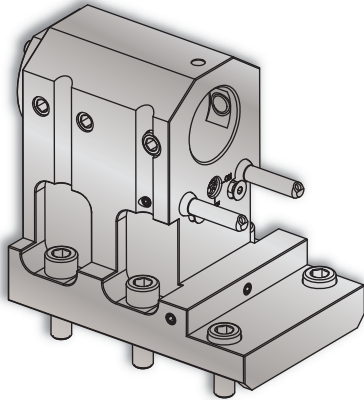
14.910.0.0452.0

No

IC/EXT

1.5"

2SP-250H/HM Offset ID Holder



Notes

VELOCITY/SU-matic ID holders can be used with both internal and external coolant.
Internal Coolant Plates are included with all *VELOCITY/SU-matic* multitasking turret ID holders.

Turret Plugs | **14.430.0.0205.0**

VELOCITY/SU-matic tooling for OKUMA is manufactured on OKUMA machine tools.

Coolant filtration is recommended when using ID holders with internal coolant plates.

Tool #

Reversible
(Main/Sub)

Coolant

ID

14.910.0.0454.0

No

IC/EXT

1.5"