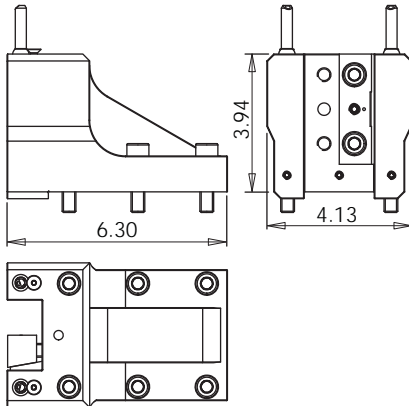
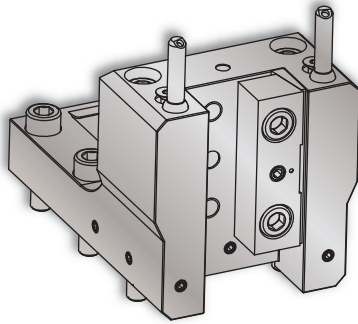


# VELOCITY TOOLING FOR OKUMA 2SP-H/2SP-HM Series

## 2SP-250H/HM Tools



### 2SP-250H/HM OD-I Holder



### Notes

3D Models (.stp) and CAS (.stl) files are available for all *VELOCITY/SU-matic* tool holders. Please contact Velocity: [sales@velocityproducts.com](mailto:sales@velocityproducts.com).

Turret Plugs | 14.430.0.0205.0

*VELOCITY/SU-matic* tooling for OKUMA is manufactured on OKUMA machine tools.

*VELOCITY* has the most complete inventory of tooling for OKUMA machine tools in North America.

Tool #

Reversible (Main/Sub)

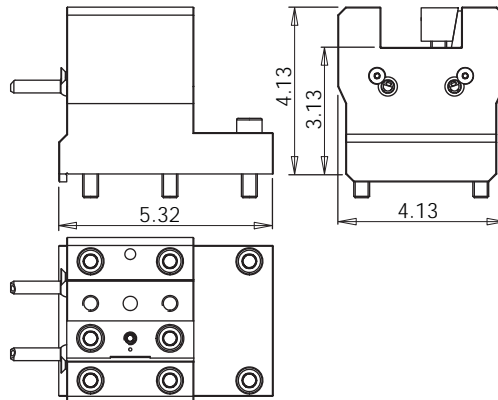
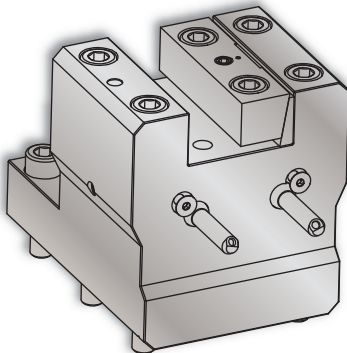
Stick Size

14.910.0.0453.0

No

1.0"

### 2SP-250H/HM OD-II Holder



### Notes

3D Models (.stp) and CAS (.stl) files are available for all *VELOCITY/SU-matic* tool holders. Please contact Velocity: [sales@velocityproducts.com](mailto:sales@velocityproducts.com).

Turret Plugs | 14.430.0.0205.0

*VELOCITY/SU-matic* tooling for OKUMA is manufactured on OKUMA machine tools.

*VELOCITY* has the most complete inventory of tooling for OKUMA machine tools in North America.

Tool #

Reversible (Main/Sub)

Stick Size

14.910.0.0490.0

No

1.0"