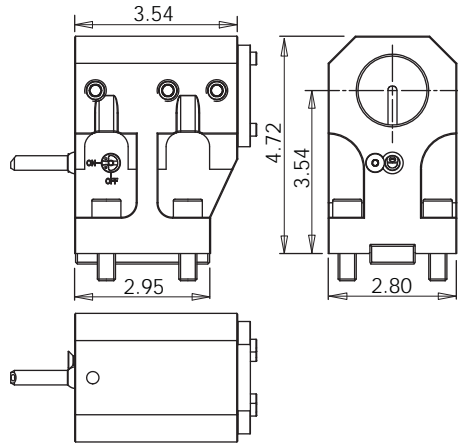
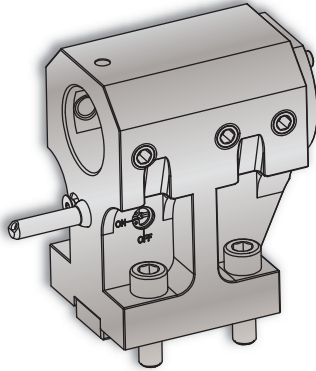


VELOCITY TOOLING FOR OKUMA 2SP-H/2SP-HM Series

2SP-150H/HM Tools



2SP-150H/HM ID Holder



Notes

VELOCITY/SU-matic ID holders can be used with both internal and external coolant. **Internal Coolant Plates** are included with all *VELOCITY/SU-matic* multitasking turret ID holders.

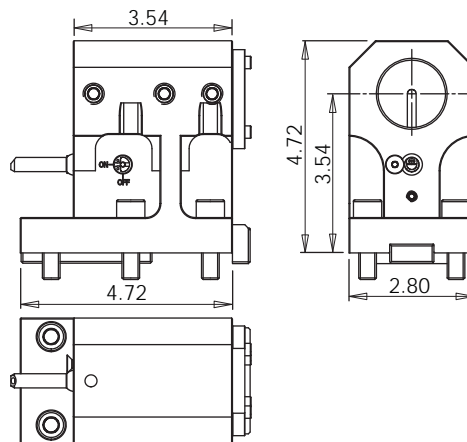
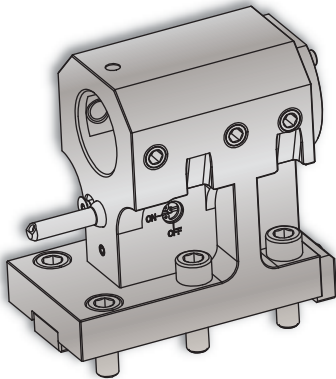
Turret Plugs | 14.430.0.0207.0

VELOCITY/SU-matic tooling for OKUMA is manufactured on OKUMA machine tools.

Coolant filtration is recommended when using ID holders with internal coolant plates.

Tool #	Reversible (Main/Sub)	Coolant	ID
14.910.0.0451.0	No	IC/EXT	1.5"

2SP-150H/HM Offset ID Holder



Notes

VELOCITY/SU-matic ID holders can be used with both internal and external coolant. **Internal Coolant Plates** are included with all *VELOCITY/SU-matic* multitasking turret ID holders.

Turret Plugs | 14.430.0.0207.0

VELOCITY/SU-matic tooling for OKUMA is manufactured on OKUMA machine tools.

Coolant filtration is recommended when using ID holders with internal coolant plates.

Tool #	Reversible (Main/Sub)	Coolant	ID
14.910.0.0487.0	No	IC/EXT	1.5"