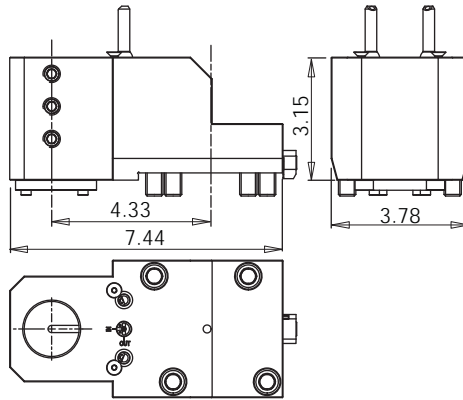
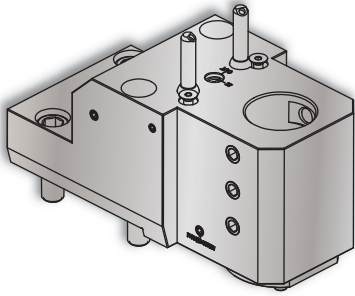


VELOCITY TOOLING FOR OKUMA 2SP-H/2SP-HM Series

2SP-2500H/HM Tools



2SP-2500H/HM ID Holder



Notes

VELOCITY/SU-matic ID holders can be used with both internal and external coolant.
Internal Coolant Plates are included with all *VELOCITY/SU-matic* multitasking turret ID holders.

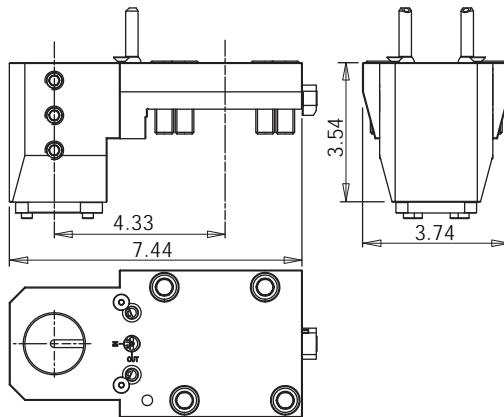
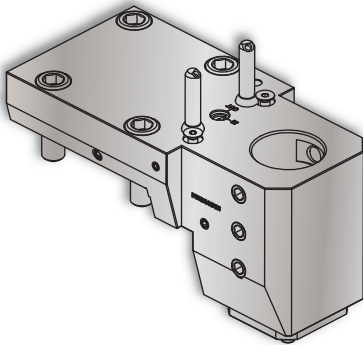
Turret Plugs	14.430.0.0086.0
--------------	-----------------

VELOCITY/SU-matic tooling for OKUMA is manufactured on OKUMA machine tools.

Coolant filtration is recommended when using ID holders with internal coolant plates.

Tool #	Reversible (Main/Sub)	Coolant	ID
14.910.0.0500.0	No	IC/EXT	1.5"

2SP-2500H/HM Offset ID Holder



Notes

VELOCITY/SU-matic ID holders can be used with both internal and external coolant.
Internal Coolant Plates are included with all *VELOCITY/SU-matic* multitasking turret ID holders.

Turret Plugs	14.430.0.0086.0
--------------	-----------------

VELOCITY/SU-matic tooling for OKUMA is manufactured on OKUMA machine tools.

Coolant filtration is recommended when using ID holders with internal coolant plates.

Tool #	Reversible (Main/Sub)	Coolant	ID
14.910.0.0502.0	No	IC/EXT	1.5"