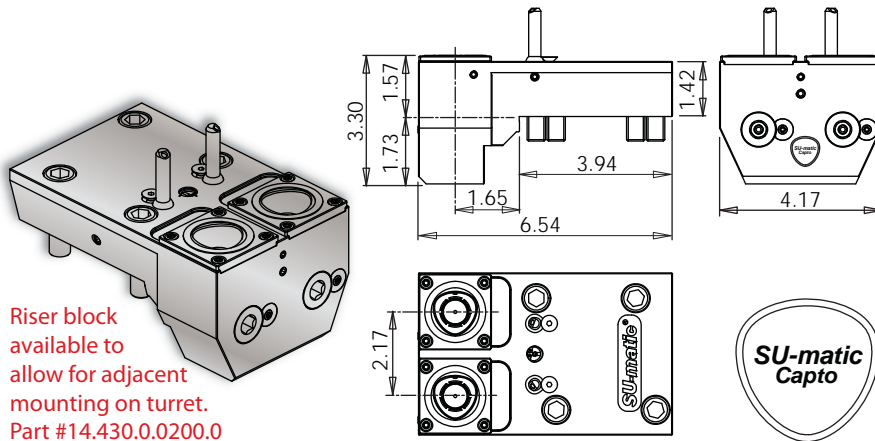


VELOCITY TOOLING FOR OKUMA GENOS L300/L3000 BMT

SU-matic Capto® Tools



GENOS L300/L3000 MY • L300 MYW C4 Y-Axis OD-I Holder



Riser block available to allow for adjacent mounting on turret.
Part #14.430.0.0200.0

Notes

REGO-FIX® C4 Collet Chucks

ER Output	Rego-Fix Part #
ER-16	2804.11630
ER-20	2804.12010
ER-25	2804.12510
ER-32	2804.13210

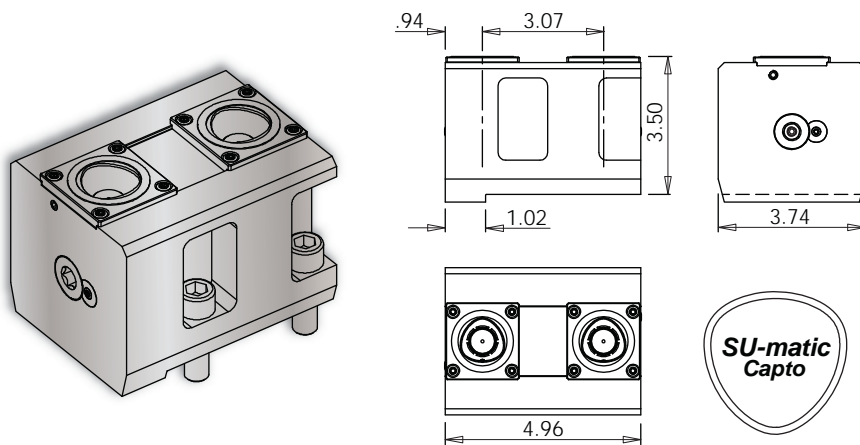
Turret Plugs 14.430.0.0086.0

VELOCITY/SU-matic tooling for OKUMA is manufactured on OKUMA machine tools.

SU-matic Capto® static tools are coolant thru. Coolant filtration is recommended.

Tool #	Reversible (Main/Sub)	Coolant	Output	Hex Wrench	C4 Collet Chucks
14.910.0.0118.0	No	IC/EXT	(2) C4	10 mm	See Above

GENOS L300/L3000 MW • L300 MYW C4 Double OD-I Holder



Notes

REGO-FIX® C4 Collet Chucks

ER Output	Rego-Fix Part #
ER-16	2804.11630
ER-20	2804.12010
ER-25	2804.12510
ER-32	2804.13210

Turret Plugs 14.430.0.0086.0

VELOCITY/SU-matic tooling for OKUMA is manufactured on OKUMA machine tools.

SU-matic Capto® static tools are coolant thru. Coolant filtration is recommended.

Tool #	Reversible (Main/Sub)	Coolant	Output	Capto Wrench	C4 Collet Chucks
14.910.0.0043.0	No	IC/EXT	(2) C4	10 mm	See Above