

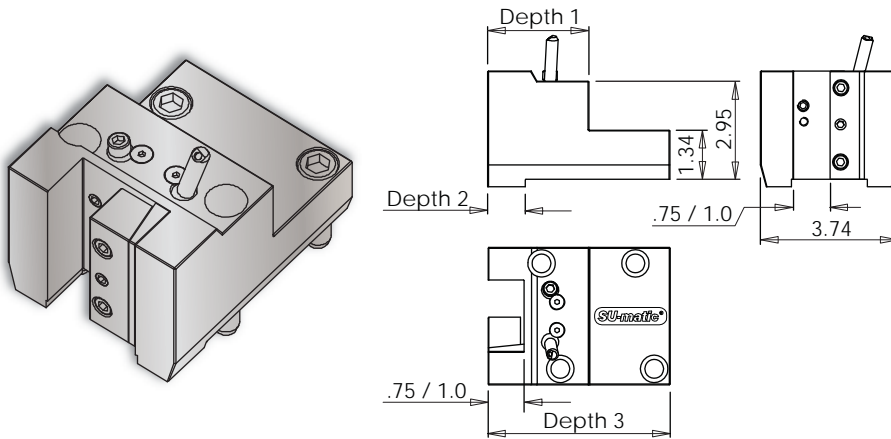
VELOCITY TOOLING FOR OKUMA GENOS L300/L3000 BMT

Static Tools



GENOS L300/L3000 OD-I Length Turning Holders

Notes



3D Models (.stp) and CAS (.stl) files are available for all **VELOCITY/SU-matic** tool holders. Please contact Velocity: sales@velocityproducts.com.

| | |
|--------------|-----------------|
| Turret Plugs | 14.430.0.0086.0 |
|--------------|-----------------|

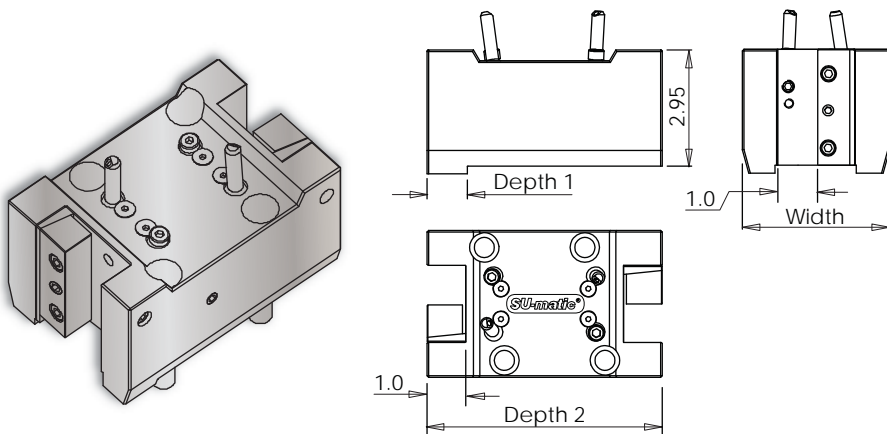
VELOCITY/SU-matic tooling for OKUMA is manufactured on OKUMA machine tools.

VELOCITY has the most complete inventory of tooling for OKUMA machine tools in North America.

| Tool # | Reversible (Main/Sub) | Stick Size | Depth 1 | Depth 2 | Depth 3 |
|-----------------|-----------------------|------------|---------|---------|---------|
| 14.910.0.0215.0 | Yes | .75" | 2.56" | .83" | 4.76" |
| 14.910.0.0209.0 | Yes | 1.0" | 2.76" | 1.02" | 4.96" |

GENOS L300/L3000 MW • L300 MYW OD-I-S Length Turning Holder

Notes



3D Models (.stp) and CAS (.stl) files are available for all **VELOCITY/SU-matic** tool holders. Please contact Velocity: sales@velocityproducts.com.

| | |
|--------------|-----------------|
| Turret Plugs | 14.430.0.0086.0 |
|--------------|-----------------|

VELOCITY/SU-matic tooling for OKUMA is manufactured on OKUMA machine tools.

VELOCITY has the most complete inventory of tooling for OKUMA machine tools in North America.

| Tool # | Reversible (Main/Sub) | Stick Size | Depth 1 | Depth 2 | Width |
|-----------------|-----------------------|------------|---------|---------|-------|
| 14.910.0.0212.0 | Yes | 1.0" | 1.02" | 5.98" | 3.74" |