

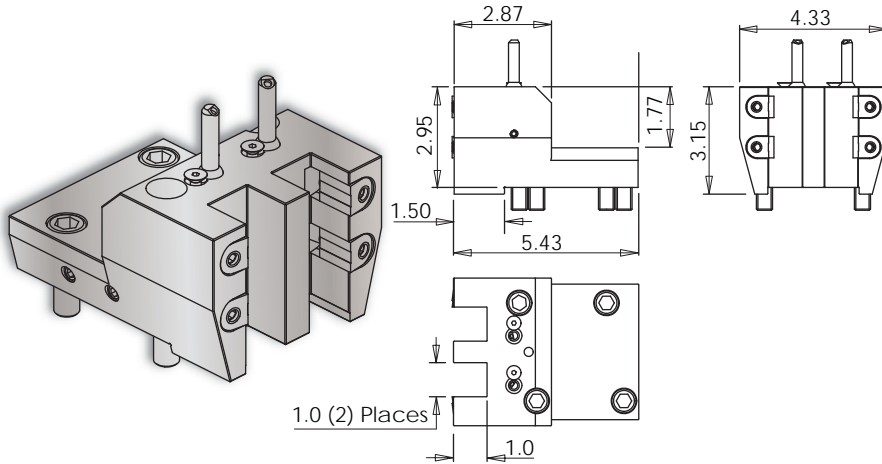
# VELOCITY TOOLING FOR OKUMA GENOS L300/L3000 BMT

## Static Tools



### GENOS L300/L3000 MY • L300 MYW OD-I Length Turning Holder

### Notes



3D Models (.stp) and CAS (.stl) files are available for all **VELOCITY/SU-matic** tool holders. Please contact Velocity: [sales@velocityproducts.com](mailto:sales@velocityproducts.com).

Turret Plugs	14.430.0.0086.0
--------------	-----------------

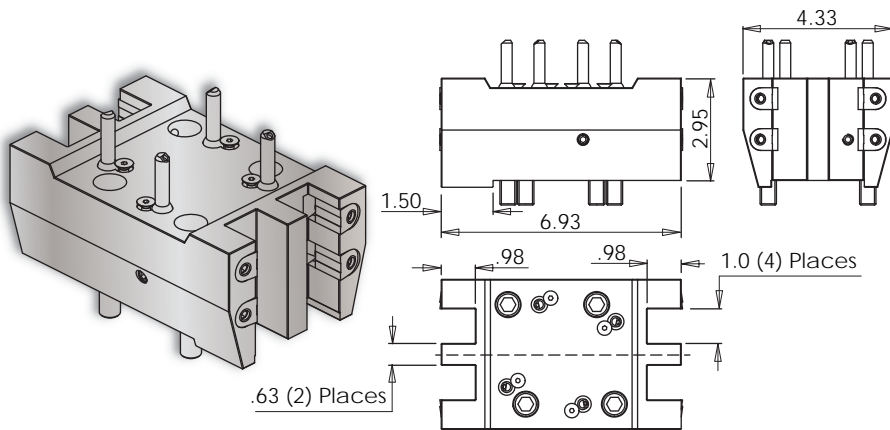
**VELOCITY/SU-matic** tooling for OKUMA is manufactured on OKUMA machine tools.

**VELOCITY** has the most complete inventory of tooling for OKUMA machine tools in North America.

Tool #	Reversible (Main/Sub)	Stick Size	Depth	Width	Height
14.910.0.0392.0	Yes	1.0"	5.43"	4.33"	2.95"

### GENOS L300 MYW OD-I-S Y-Axis Length Turning Holder

### Notes



3D Models (.stp) and CAS (.stl) files are available for all **VELOCITY/SU-matic** tool holders. Please contact Velocity: [sales@velocityproducts.com](mailto:sales@velocityproducts.com).

Turret Plugs	14.430.0.0086.0
--------------	-----------------

**VELOCITY/SU-matic** tooling for OKUMA is manufactured on OKUMA machine tools.

**VELOCITY** has the most complete inventory of tooling for OKUMA machine tools in North America.

Tool #	Reversible (Main/Sub)	Stick Size	Depth	Width	Height
14.910.0.0231.0	Yes	1.0"	6.93"	4.33"	2.95"