

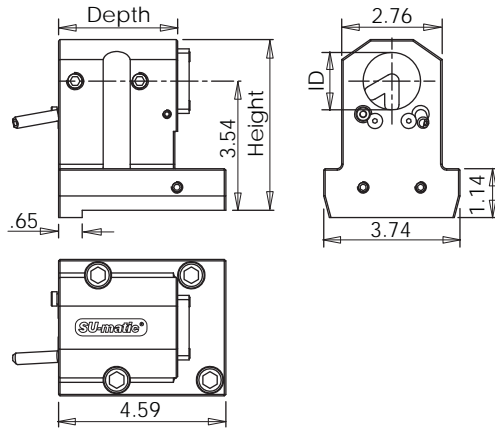
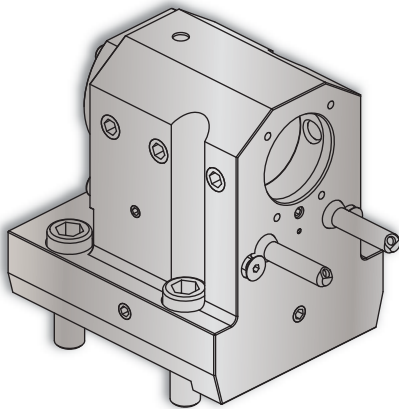
VELOCITY TOOLING FOR OKUMA GENOS L300/L3000 BMT

Static Tools



GENOS L300/L3000 Boring Bar Holders

Notes



VELOCITY/SU-matic ID holders can be used with both internal and external coolant.
Internal Coolant Plates are included with all *VELOCITY/SU-matic* multitasking turret ID holders.

Turret Plugs	14.430.0.0086.0
--------------	-----------------

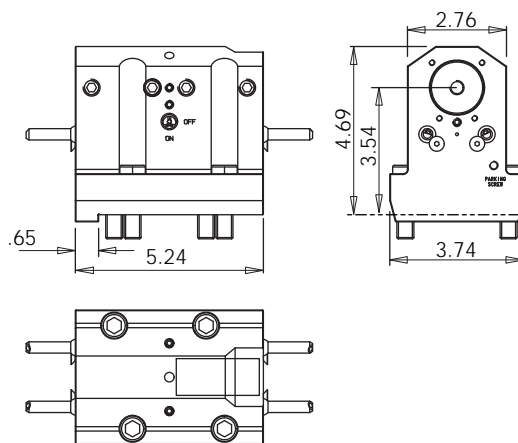
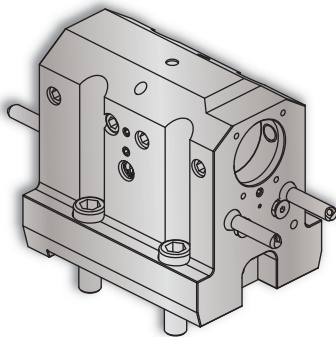
VELOCITY/SU-matic tooling for OKUMA is manufactured on OKUMA machine tools.

Coolant filtration is recommended when using ID holders with internal coolant plates.

Tool #	Reversible (Main/Sub)	Coolant	ID	Height	Depth (Top)
14.910.0.0214.0	Yes	IC/EXT	1.25"	4.53"	2.95"
14.910.0.0208.0	Yes	IC/EXT	1.5"	4.69"	3.27"

GENOS L300/L3000 1.5" Boring Bar Holder

Notes



VELOCITY/SU-matic ID holders can be used with both internal and external coolant.
Internal Coolant Plates are included with all *VELOCITY/SU-matic* multitasking turret ID holders.

Turret Plugs	14.430.0.0086.0
--------------	-----------------

VELOCITY/SU-matic tooling for OKUMA is manufactured on OKUMA machine tools.

Coolant filtration is recommended when using ID holders with internal coolant plates.

Tool #	Reversible (Main/Sub)	Coolant	ID	Height	Depth
14.910.0.0376.0	-	IC/EXT	1.5"	4.69"	5.24"