

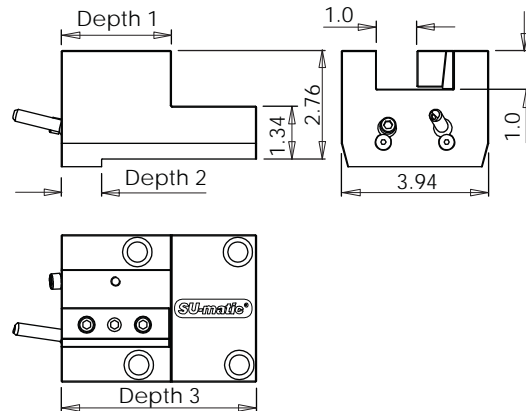
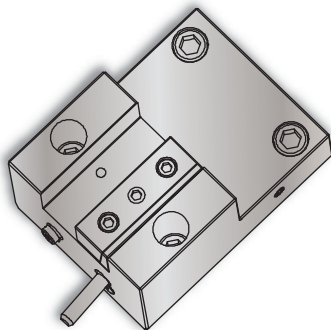
VELOCITY TOOLING FOR OKUMA LB2000/LB3000 M/MY/MYW

Static Tools



LB2000 M / LB3000 M OD-II Face Turning Holders

Notes



3D Models (.stp) and CAS (.stl) files are available for all **VELOCITY/SU-matic** tool holders. Please contact Velocity: sales@velocityproducts.com.

Turret Plugs | 14.430.0.0086.0

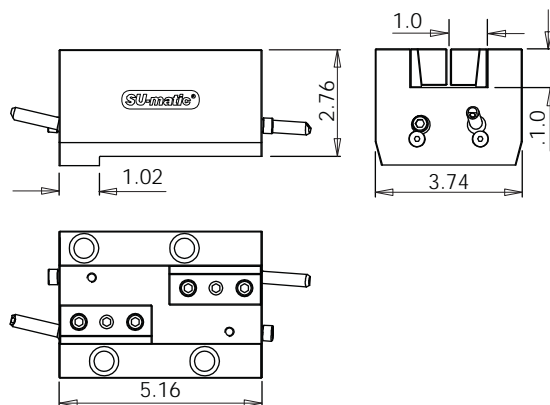
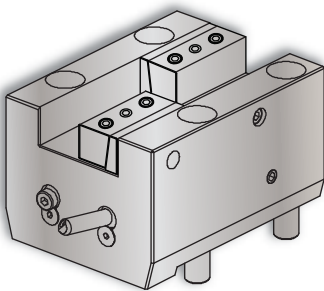
VELOCITY/SU-matic tooling for OKUMA is manufactured on OKUMA machine tools.

VELOCITY has the most complete inventory of tooling for OKUMA machine tools in North America.

Lathe Model	Tool #	Reversible (Main/Sub)	Stick Size	Depth 1	Depth 2	Depth 3
LB2000 M	14.910.0.0216.0	Yes	.75"	2.60"	.83"	4.76"
LB3000 M	14.910.0.0210.0	Yes	1.0"	2.80"	1.02"	4.96"

LB3000 MYW OD-II-S Face Turning Holder

Notes



3D Models (.stp) and CAS (.stl) files are available for all **VELOCITY/SU-matic** tool holders. Please contact Velocity: sales@velocityproducts.com.

Turret Plugs | 14.430.0.0086.0

VELOCITY/SU-matic tooling for OKUMA is manufactured on OKUMA machine tools.

VELOCITY has the most complete inventory of tooling for OKUMA machine tools in North America.

Lathe Model	Tool #	Reversible (Main/Sub)	Stick Size	Depth 1	Depth 2	Width
LB3000 MYW	14.910.0.0213.0	Yes	1.0"	1.02"	5.16	3.74"