

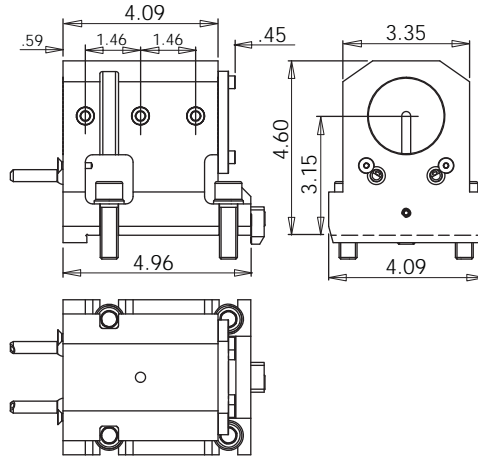
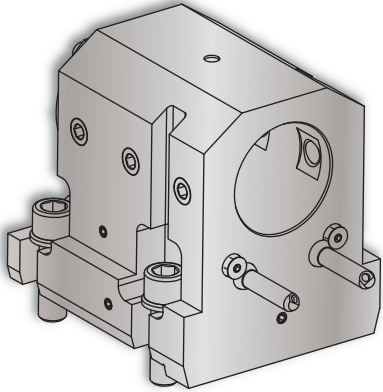
# VELOCITY TOOLING FOR OKUMA LB4000 M/MY

## Static Tools



### LB4000 M 2" Full Depth Boring Bar Holder

### Notes



*VELOCITY/SU-matic* ID holders can be used with both internal and external coolant. **Internal Coolant Plates** are included with all *VELOCITY/SU-matic* multitasking turret ID holders.

Turret Plugs	14.430.0.0087.0
--------------	-----------------

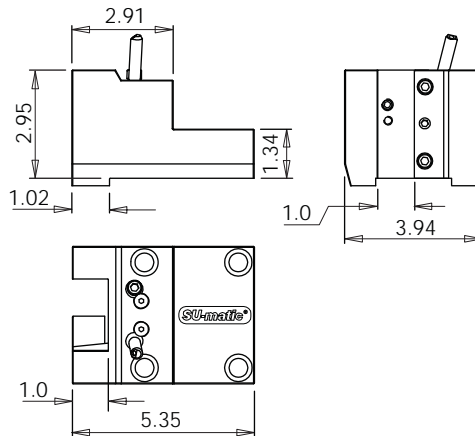
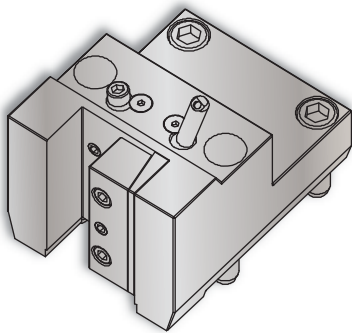
*VELOCITY/SU-matic* tooling for OKUMA is manufactured on OKUMA machine tools.

Coolant filtration is recommended when using ID holders with internal coolant plates.

Lathe Model	Tool #	Reversible (Main/Sub)	Coolant	ID	Height	Depth
LB4000 M	14.910.0.0472.0	-	IC/EXT	2"	4.60"	4.96"

### LB4000 M OD-1 Length Turning Holder

### Notes



3D Models (.stp) and CAS (.stl) files are available for all *VELOCITY/SU-matic* tool holders. Please contact Velocity: [sales@velocityproducts.com](mailto:sales@velocityproducts.com).

Turret Plugs	14.430.0.0087.0
--------------	-----------------

*VELOCITY/SU-matic* tooling for OKUMA is manufactured on OKUMA machine tools.

*VELOCITY* has the most complete inventory of tooling for OKUMA machine tools in North America.

Lathe Model	Tool #	Reversible (Main/Sub)	Stick Size	Depth (Top)	Depth (Overall)	Height
LB4000 M	14.910.0.0221.0	Yes	1"	2.91"	5.35"	2.95"