

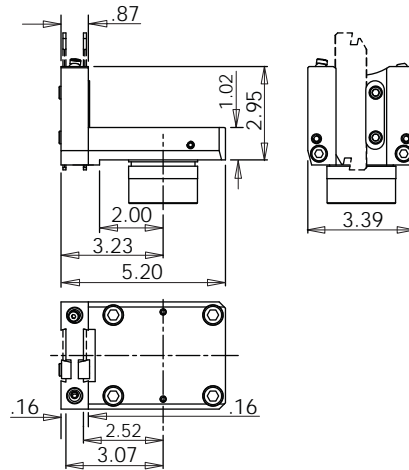
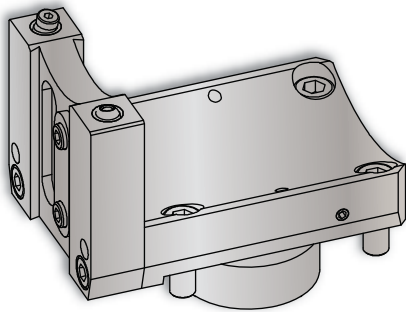
# VELOCITY TOOLING FOR OKUMA LT2000 M/MY

## Static Tools



### LT2000 Cut-Off Blade Holder • Premium

### Notes



3D Models (.stp) and CAS (.stl) files are available for all *VELOCITY/SU-matic* tool holders. Please contact Velocity: [sales@velocityproducts.com](mailto:sales@velocityproducts.com).

Turret Plugs	14.430.0.0088.0
--------------	-----------------

*VELOCITY/SU-matic* tooling for OKUMA is manufactured on OKUMA machine tools.

*VELOCITY* has the most complete inventory of tooling for OKUMA machine tools in North America.

Lathe Model	Tool #	Reversible (Main/Sub)	Blade Size	Depth	Height	Width
LT2000	14.910.0.0134.1	Yes	26 mm (2)	5.20"	2.95"	3.39"

