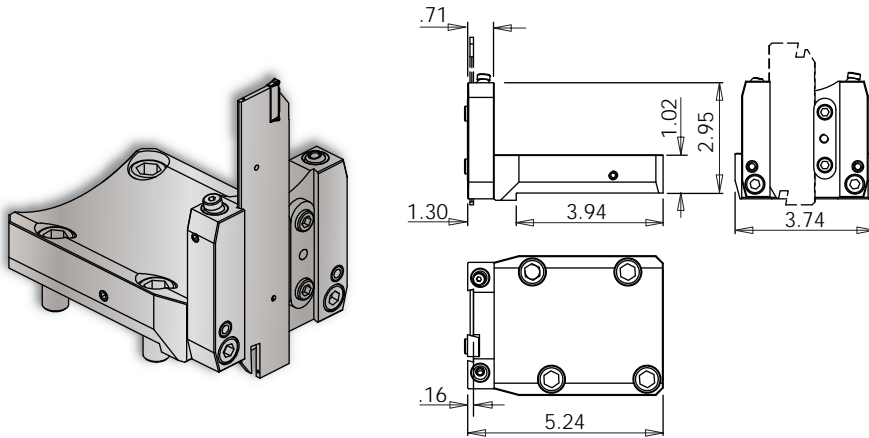


VELOCITY TOOLING FOR OKUMA LT3000 M/MY

Static Tools



LT3000 Cut-Off Blade Holder • Basic



Notes

3D Models (.stp) and CAS (.stl) files are available for all *VELOCITY/SU-matic* tool holders. Please contact Velocity: sales@velocityproducts.com.

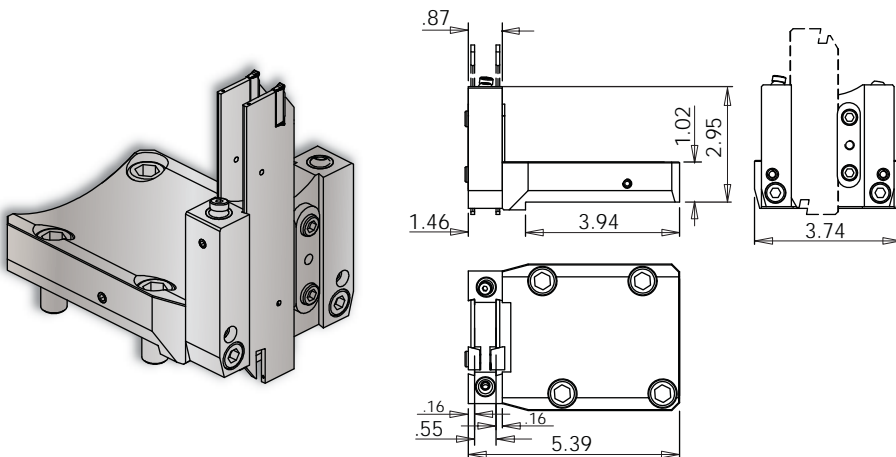
Turret Plugs	14.430.0.0086.0
--------------	-----------------

VELOCITY/SU-matic tooling for OKUMA is manufactured on OKUMA machine tools.

VELOCITY has the most complete inventory of tooling for OKUMA machine tools in North America.

Lathe Model	Tool #	Reversible (Main/Sub)	Blade Size	Depth	Height	Width
LT3000	14.910.0.0169.1	Yes	32 mm	5.24"	2.95"	3.74"

LT3000 Cut-Off Blade Holder • Premium



Notes

3D Models (.stp) and CAS (.stl) files are available for all *VELOCITY/SU-matic* tool holders. Please contact Velocity: sales@velocityproducts.com.

Turret Plugs	14.430.0.0086.0
--------------	-----------------

VELOCITY/SU-matic tooling for OKUMA is manufactured on OKUMA machine tools.

VELOCITY has the most complete inventory of tooling for OKUMA machine tools in North America.

Lathe Model	Tool #	Reversible (Main/Sub)	Blade Size	Depth	Height	Width
LT3000	14.910.0.0207.1	Yes	32 mm	5.39"	2.95"	3.74"