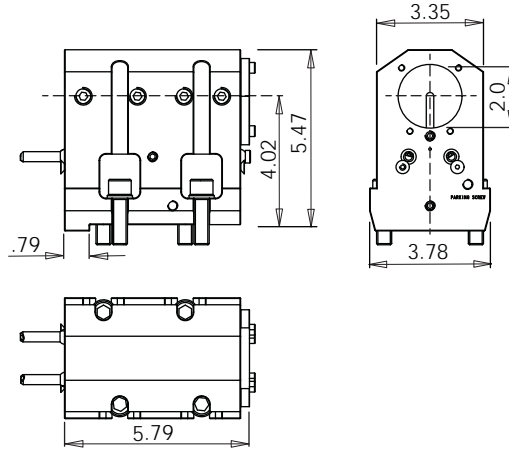
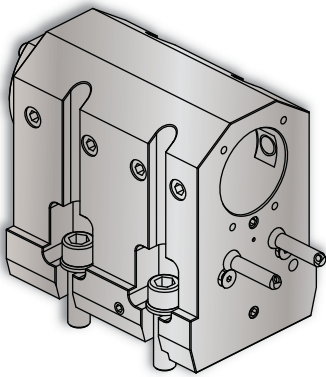


VELOCITY TOOLING FOR OKUMA LT3000 M/MY

Static Tools



LT3000 2.0" Full Depth Boring Bar Holder



Notes

VELOCITY/SU-matic ID holders can be used with both internal and external coolant. **Internal Coolant Plates** are included with all *VELOCITY/SU-matic* multitasking turret ID holders.

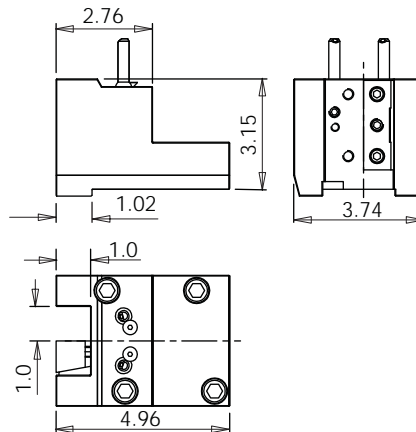
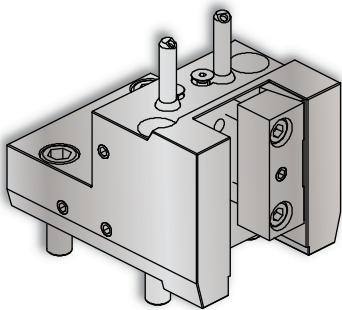
Turret Plugs	14.430.0.0086.0
--------------	-----------------

VELOCITY/SU-matic tooling for OKUMA is manufactured on OKUMA machine tools.

Coolant filtration is recommended when using ID holders with internal coolant plates.

Lathe Model	Tool #	Reversible (Main/Sub)	Coolant	ID	Height	Depth
LT3000	14.910.0.0419.0	-	IC/EXT	2.0"	5.47"	5.79"

LT3000 OD-I-S Length Turning Holder



Notes

3D Models (.stp) and CAS (.stl) files are available for all *VELOCITY/SU-matic* tool holders. Please contact Velocity: sales@velocityproducts.com.

Turret Plugs	14.430.0.0086.0
--------------	-----------------

VELOCITY/SU-matic tooling for OKUMA is manufactured on OKUMA machine tools.

VELOCITY has the most complete inventory of tooling for OKUMA machine tools in North America.

Lathe Model	Tool #	Reversible (Main/Sub)	Stick Size	Depth	Height	Width
LT3000	14.910.0.0175.0	Yes	1.0"	4.96"	3.15"	3.74"