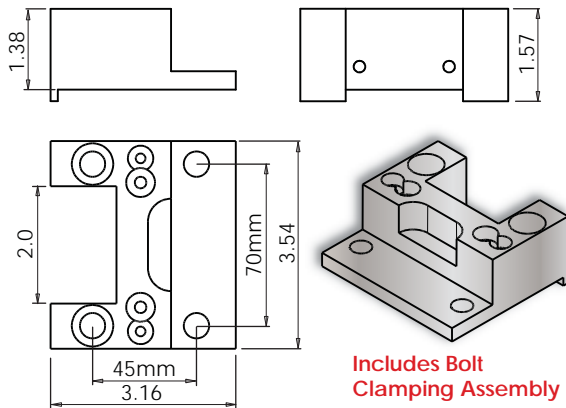


# VELOCITY TOOLING FOR OKUMA "L" TURRET LATHES

## "L" Turret Holders

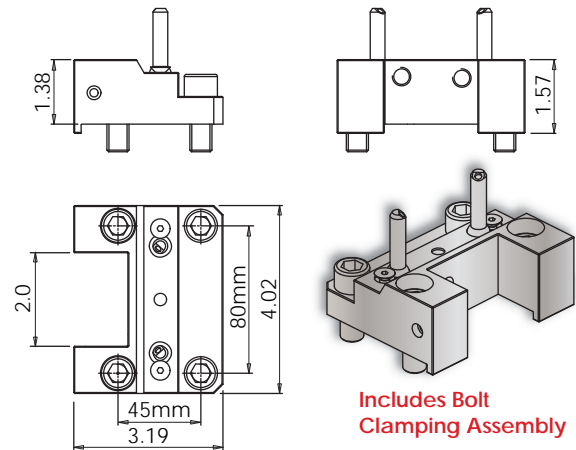


### OD-I Holder: GENOS L250 • GENOS L2000L



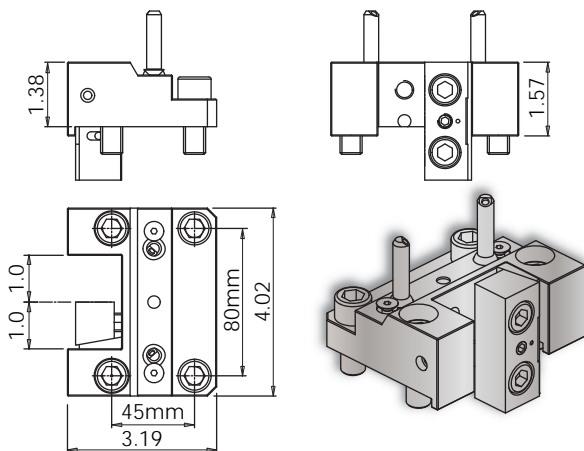
Tool #	Reversible	Coolant	Stick Size (Inches)	Mounting Bolt Centers
L250-OD-I-B-V	No	External	1.0	45mm x 70mm

### OD-I Holder: GENOS L400 • GENOS L3000L Multus U3000/U4000/U5000 L/C Tailstock Machine



Tool #	Reversible	Coolant	Stick Size (Inches)	Mounting Bolt Centers
14.910.0.0282.B	No	External	1.0	45mm x 80mm

### OD-I Holder: LB/LU3000 L • LB/LU4000 L



Tool #	Reversible	Coolant	Stick Size (Inches)	Mounting Bolt Centers
14.910.0.0282.0	No	External	1.0	45mm x 80mm

### Notes

**All GENOS machines use bolt style clamping slotted turrets. Wedge style clamping OD-I tool holders cannot be used on GENOS machines.**

