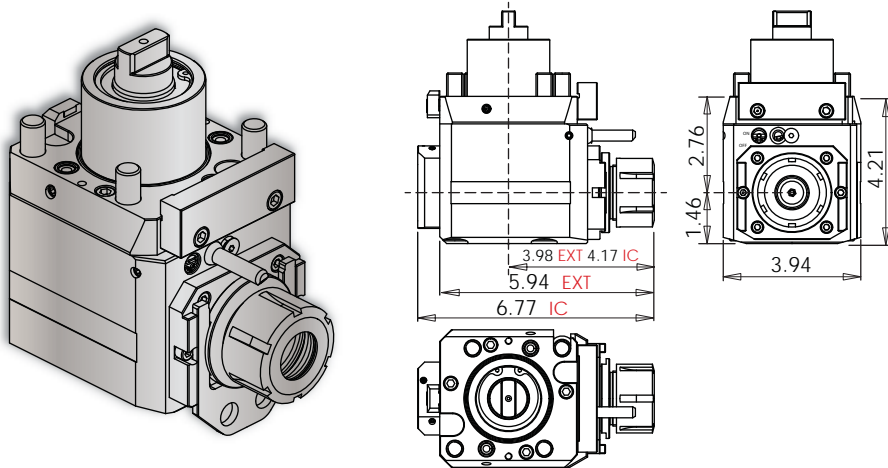


VELOCITY TOOLING FOR OKUMA LU3000 M/MY

Live Tools



LU3000 Face Tools • ER-32 Output



Notes

Wrenches Included with Tools

Maximum Drill Ø		Maximum Mill Ø	
EXT	13/16"	EXT	23/32"
IC	3/4"	IC	23/32"

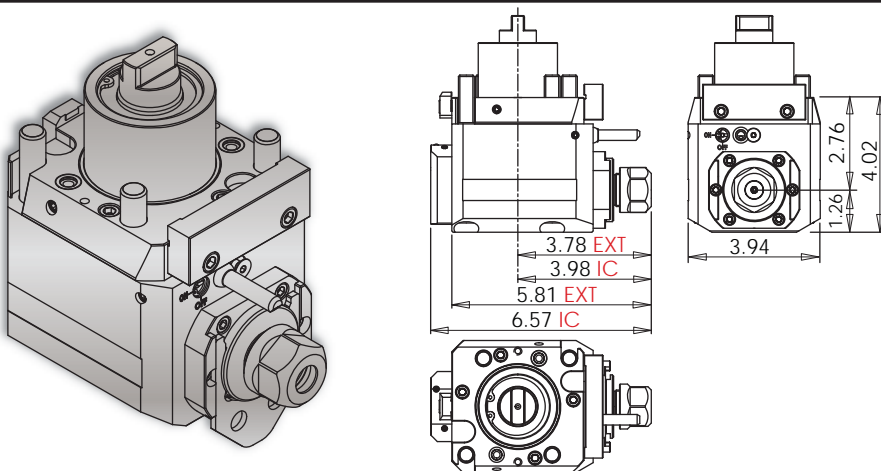
Turret Plugs 14.430.0.0086.0

* 1,450 psi internal coolant (IC) face tool **CAN** be run without coolant; the coolant sealing mechanism can be completely dis-engaged.

All coolant thru live tools require 30 micron coolant filtration nominal, 50 micron coolant filtration absolute.

Tool #	Coolant	Output	Rotation (In:Out)	Ratio (In:Out)	Max. RPM	Torque	Spindle Wrench	Collet Wrench
14.800.0.0379.0 (14.800.0.0176.0)	EXT	ER-32	CW:CW	1:1	6,000	60 Nm	1005100950	7111.32000
14.800.0.0378.0 (14.800.0.0213.0)	IC & EXT* 1,450 psi	ERC-32	CW:CW	1:1	6,000	60 Nm	1005100950	7111.32000

LU3000 High Speed Face Tool • ER-20 Output



Notes

Wrenches Included with Tools

Maximum Drill Ø		Maximum Mill Ø	
EXT	1/2"	EXT	15/32"
IC	1/2"	IC	15/32"

Turret Plugs 14.430.0.0086.0

* 1,450 psi internal coolant (IC) face tool **CAN** be run without coolant; the coolant sealing mechanism can be completely dis-engaged.

All coolant thru live tools require 30 micron coolant filtration nominal, 50 micron coolant filtration absolute.

Tool #	Coolant	Output	Rotation (In:Out)	Ratio (In:Out)	Max. RPM	Torque	Spindle Wrench	Collet Wrench
14.800.0.0429.0	EXT	ER-20	CW:CW	1:2	12,000	12 Nm	Special	7111.20000
14.800.0.0427.0	IC & EXT* 1,450 psi	ERC-20	CW:CW	1:2	12,000	12 Nm	Special	7111.20000