

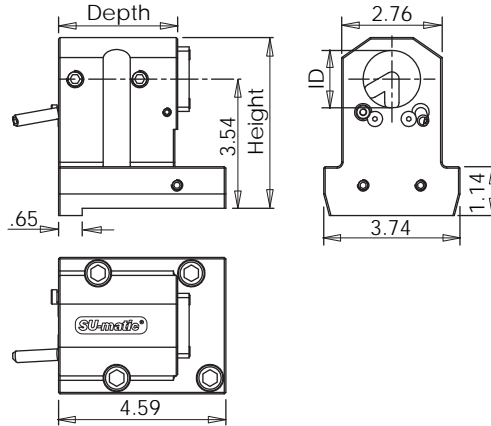
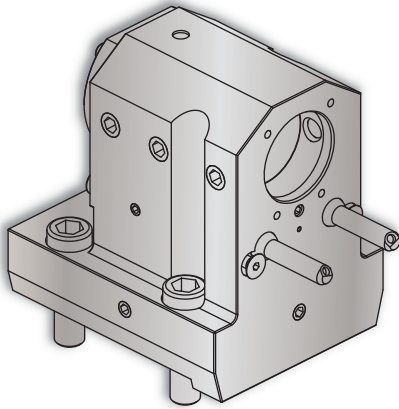
VELOCITY TOOLING FOR OKUMA LU3000 M/MY

Static Tools



LU3000 M Boring Bar Holder

Notes



VELOCITY/SU-matic ID holders can be used with both internal and external coolant.
Internal Coolant Plates are included with all *VELOCITY/SU-matic* multitasking turret ID holders.

| | |
|--------------|-----------------|
| Turret Plugs | 14.430.0.0086.0 |
|--------------|-----------------|

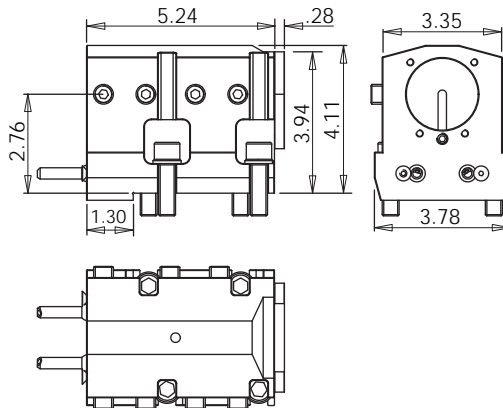
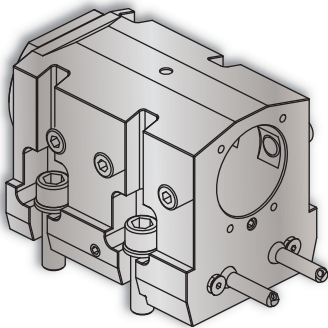
VELOCITY/SU-matic tooling for OKUMA is manufactured on OKUMA machine tools.

Coolant filtration is recommended when using ID holders with internal coolant plates.

| Lathe Model | Tool # | Reversible (Main/Sub) | Coolant | ID | Height | Depth (Top) |
|-------------|-----------------|-----------------------|---------|------|--------|-------------|
| LU3000 M | 14.910.0.0208.0 | Yes | IC/EXT | 1.5" | 4.69" | 3.27" |

LU3000 M 2" Full Depth Boring Bar Holder

Notes



VELOCITY/SU-matic ID holders can be used with both internal and external coolant.
Internal Coolant Plates are included with all *VELOCITY/SU-matic* multitasking turret ID holders.

| | |
|--------------|-----------------|
| Turret Plugs | 14.430.0.0086.0 |
|--------------|-----------------|

VELOCITY/SU-matic tooling for OKUMA is manufactured on OKUMA machine tools.

Coolant filtration is recommended when using ID holders with internal coolant plates.

| Lathe Model | Tool # | Reversible (Main/Sub) | Coolant | ID | Height | Depth |
|-------------|-----------------|-----------------------|---------|----|--------|-------|
| LU3000 M | 14.910.0.0247.2 | - | IC/EXT | 2" | 4.11" | 5.24" |