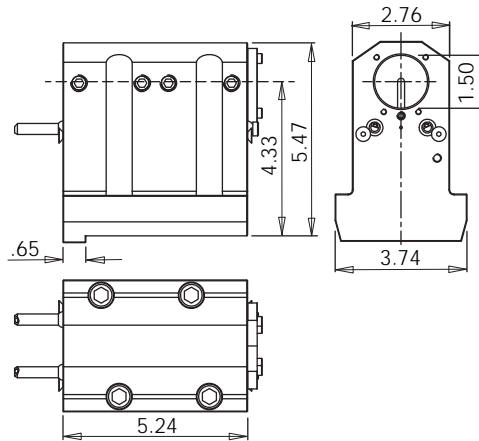
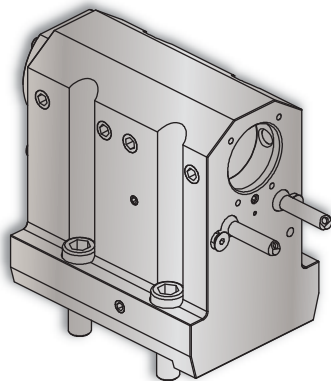


VELOCITY TOOLING FOR OKUMA MULTUS U3000/U4000/U5000

Static Tools



Multus U3000/U4000/U5000 1.5" Full Depth Boring Bar Holder



Notes

VELOCITY/SU-matic ID holders can be used with both internal and external coolant. **Internal Coolant Plates** are included with all *VELOCITY/SU-matic* multitasking turret ID holders.

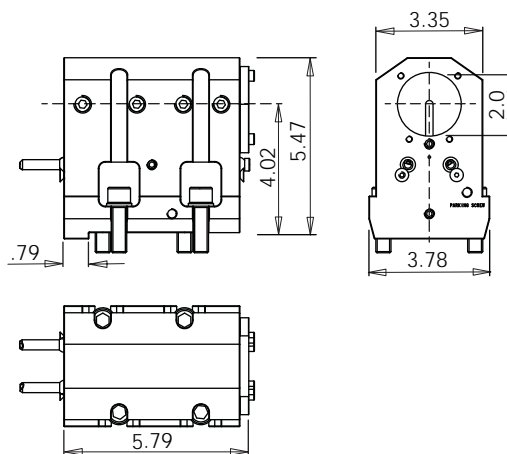
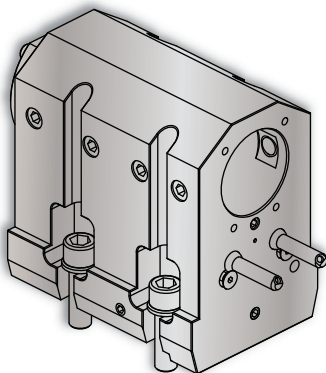
Turret Plugs	14.430.0.0086.0
--------------	-----------------

VELOCITY/SU-matic tooling for OKUMA is manufactured on OKUMA machine tools.

Coolant filtration is recommended when using ID holders with internal coolant plates.

Lathe Model	Tool #	Reversible (Main/Sub)	Coolant	ID	Height	Depth
Multus	14.910.0.0174.0	-	IC/EXT	1.5"	5.47"	5.24"

Multus U3000/U4000/U5000 2.0" Full Depth Boring Bar Holder



Notes

VELOCITY/SU-matic ID holders can be used with both internal and external coolant. **Internal Coolant Plates** are included with all *VELOCITY/SU-matic* multitasking turret ID holders.

Turret Plugs	14.430.0.0086.0
--------------	-----------------

VELOCITY/SU-matic tooling for OKUMA is manufactured on OKUMA machine tools.

Coolant filtration is recommended when using ID holders with internal coolant plates.

Lathe Model	Tool #	Reversible (Main/Sub)	Coolant	ID	Height	Depth
Multus	14.910.0.0419.0	-	IC/EXT	2.0"	5.47"	5.79"