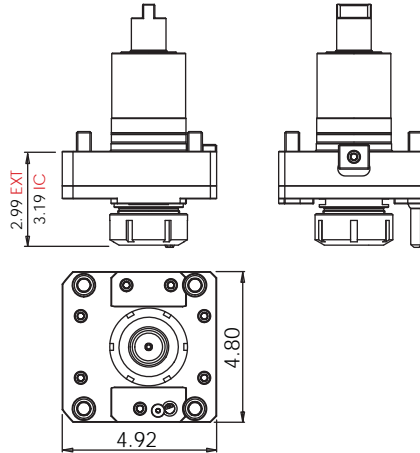
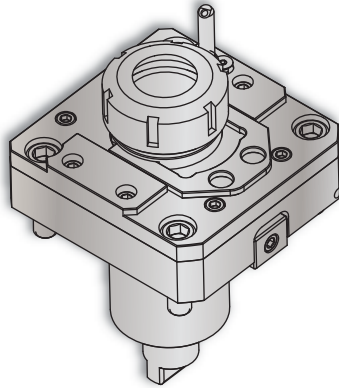


# VELOCITY TOOLING FOR OKUMA V760/V920 • 2SP-V760/V920

## V760/2SP-V760 Tools



### V760 / 2SP-V760 Cross Tools • ER-40 Output



### Notes

#### Wrenches Included with Tools

Maximum Drill Ø		Maximum Mill Ø	
EXT	1"	EXT	15/16"
IC	1"	IC	15/16"

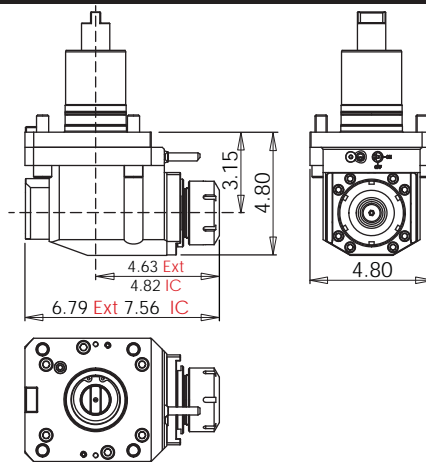
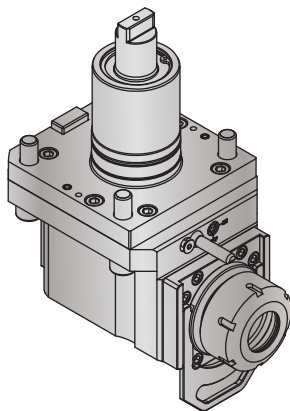
Turret Plugs 14.430.0.0194.0

\* 1,000 psi internal coolant (IC) cross tool **CANNOT** be run without coolant.

All coolant thru live tools require 30 micron coolant filtration nominal, 50 micron coolant filtration absolute.

Tool #	Coolant	Output	Rotation (In:Out)	Ratio (In:Out)	Max. RPM	Torque	Spindle Wrench	Collet Wrench
14.101.0.0310.0	EXT	ER-40	CW:CW	1:1	4,000	85 Nm	1005100980	7111.40000
14.101.0.0309.0	IC & EXT* 1,000 psi	ERC-40	CW:CW	1:1	4,000	85 Nm	1005100980	7111.40000

### V760 / 2SP-V760 Face Tools • ER-40 Output



### Notes

#### Wrenches Included with Tools

Maximum Drill Ø		Maximum Mill Ø	
EXT	1"	EXT	15/16"
IC	1"	IC	15/16"

Turret Plugs 14.430.0.0194.0

\* 1,450 psi internal coolant (IC) face tool **CAN** be run without coolant; the coolant sealing mechanism can be completely dis-engaged.

All coolant thru live tools require 30 micron coolant filtration nominal, 50 micron coolant filtration absolute.

Tool #	Coolant	Output	Rotation (In:Out)	Ratio (In:Out)	Max. RPM	Torque	Spindle Wrench	Collet Wrench
14.800.0.0417.0	EXT	ER-40	CW:CW	1:1	4,000	85 Nm	1005101120	7111.40000
14.800.0.0416.0	IC & EXT* 1,450 psi	ERC-40	CW:CW	1:1	4,000	85 Nm	1005101120	7111.40000