

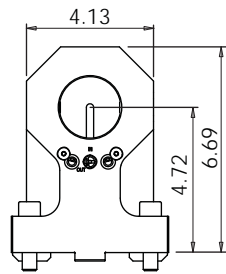
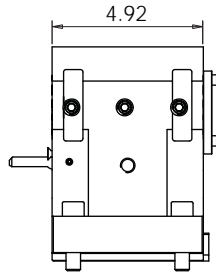
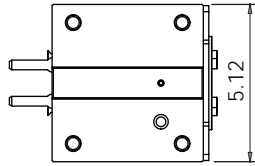
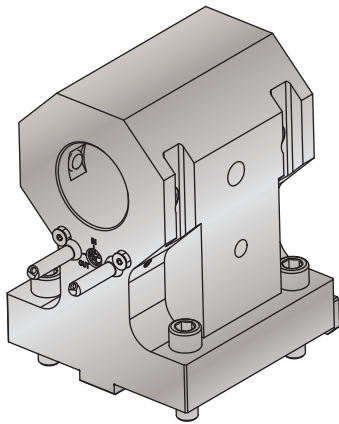
VELOCITY TOOLING FOR OKUMA V760/V920 • 2SP-V760/V920

V760/V920 2SP-V760/V920 Tools



V760 / V920 • 2SP-V760 / 2SP-V920 2.0" Boring Bar Holder

Notes



VELOCITY/SU-matic ID holders can be used with both internal and external coolant.
Internal Coolant Plates are included with all *VELOCITY/SU-matic* multitasking turret ID holders.

V760 Turret Plugs	14.430.0.0194.0
-------------------	-----------------

V920 Turret Plugs	14.430.0.0218.0
-------------------	-----------------

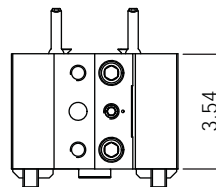
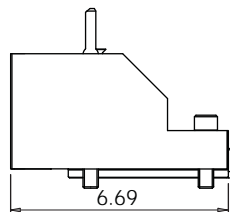
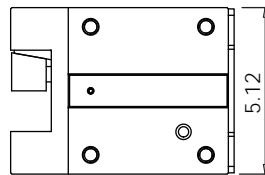
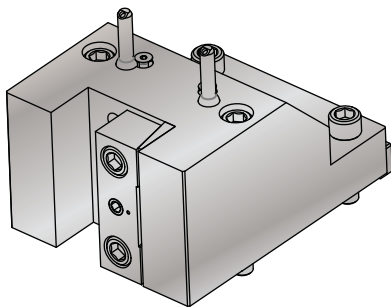
VELOCITY/SU-matic tooling for OKUMA is manufactured on OKUMA machine tools.

Coolant filtration is recommended when using ID holders with internal coolant plates.

Tool #	Coolant	ID	Mounting Bolt Centers	Mounting Bolts
14.910.0.0393.0	IC/EXT	2.0"	90mm x 100mm	Ships with both M12 and M16 mounting bolts

V760 / V920 • 2SP-V760 / 2SP-V920 OD-I Holder

Notes



3D Models (.stp) and CAS (.stl) files are available for all *VELOCITY/SU-matic* tool holders. Please contact Velocity: sales@velocityproducts.com.

V760 Turret Plugs	14.430.0.0194.0
-------------------	-----------------

V920 Turret Plugs	14.430.0.0218.0
-------------------	-----------------

VELOCITY/SU-matic tooling for OKUMA is manufactured on OKUMA machine tools.

VELOCITY has the most complete inventory of tooling for OKUMA machine tools in North America.

Tool #	Coolant	Stick Size	Mounting Bolt Centers	Mounting Bolts
14.910.0.0394.0	EXT	1.25"	90mm x 100mm	Ships with both M12 and M16 mounting bolts