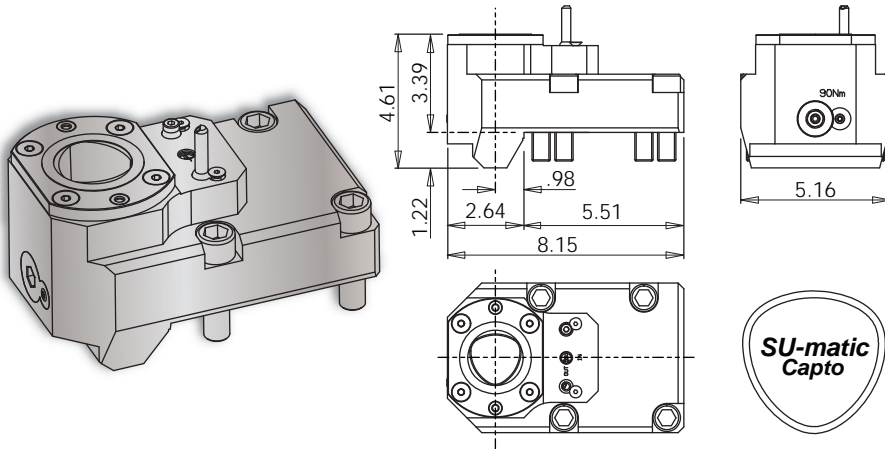


VELOCITY TOOLING FOR OKUMA V760/V920 • 2SP-V760/V920

SU-matic Capto® Tools



V760 / V920 • 2SP-V760 / 2SP-V920 C6 OD-I Holder



Notes

REGO-FIX® C6 Collet Chucks

ER Output	Rego-Fix Part #
ER-20	2806.12020
ER-25	2806.12520
ER-32	2806.13220
ER-40	2806.14020

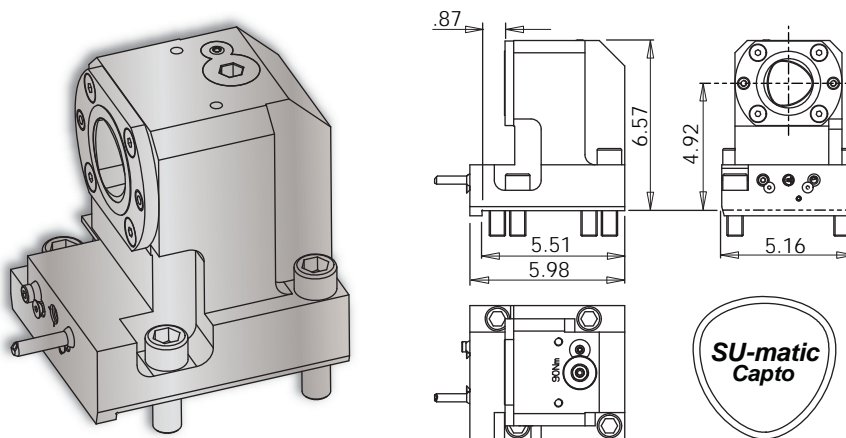
V760 Turret Plugs 14.430.0.0194.0

V920 Turret Plugs 14.430.0.0218.0

SU-matic Capto® static tools are coolant thru. Coolant filtration is recommended.

Lathe Model	Tool #	Mounting Bolts	Coolant	Output	Hex Wrench	C6 Collet Chucks
V760 & V920	14.910.0.0415.1	M12 & M16	IC/EXT	C6	12 mm	See Above

V760 / V920 • 2SP-V760 / 2SP-V920 C6 ID Holder



Notes

REGO-FIX® C6 Collet Chucks

ER Output	Rego-Fix Part #
ER-20	2806.12020
ER-25	2806.12520
ER-32	2806.13220
ER-40	2806.14020

V760 Turret Plugs 14.430.0.0194.0

V920 Turret Plugs 14.430.0.0218.0

SU-matic Capto® static tools are coolant thru. Coolant filtration is recommended.

Lathe Model	Tool #	Mounting Bolts	Coolant	Output	Hex Wrench	C6 Collet Chucks
V760 & V920	14.910.0.0416.1	M12 & M16	IC/EXT	C6	12 mm	See Above