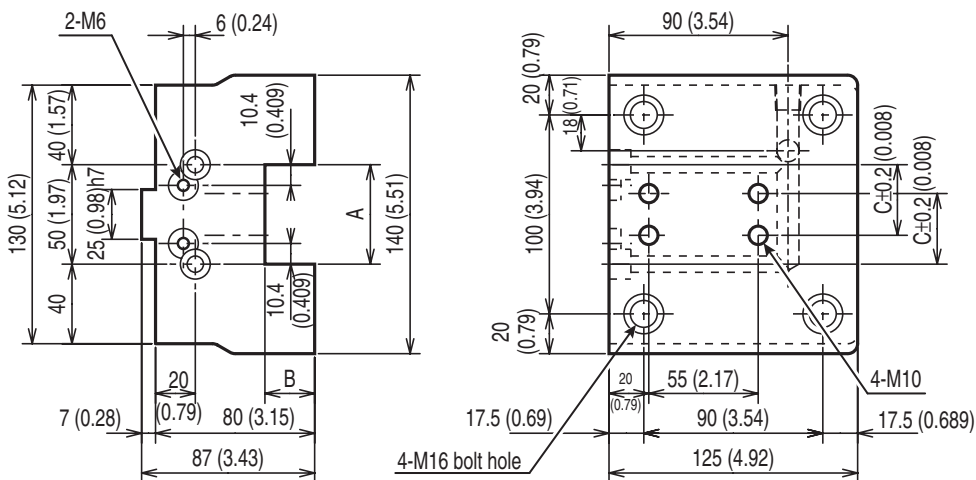


4. Tool Holder Dimensions

HF10B-**



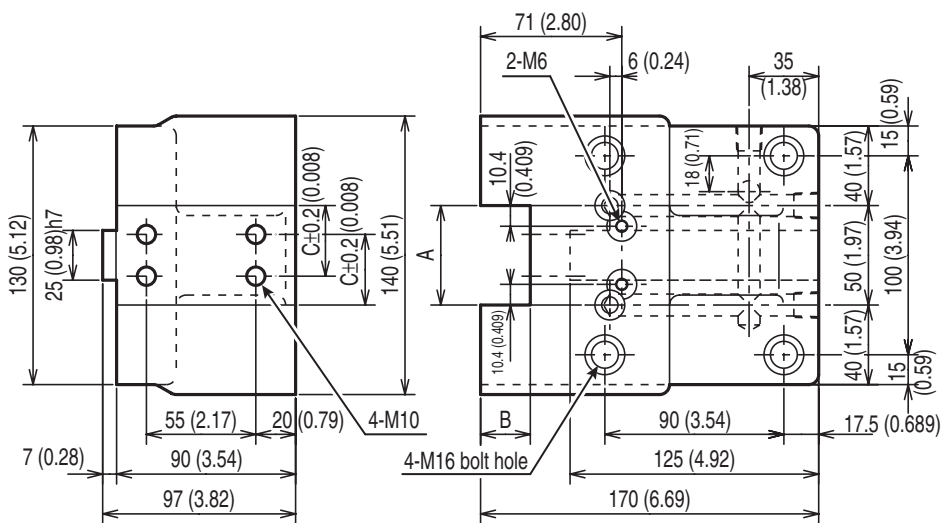
HF10B-1"	A=2" (50.8)	B=1" (25.4)	C=35.9
HF10B-1 1/4"	A=2 1/2" (63.5)	B=1 1/4" (31.75)	C=45.25

HF10B-25	A=50	B=25	C=35.5
HF10B-32	A=64	B=32	C=45.5

Unit: mm (in.)

LE11176R0400900040001

HO10B-**



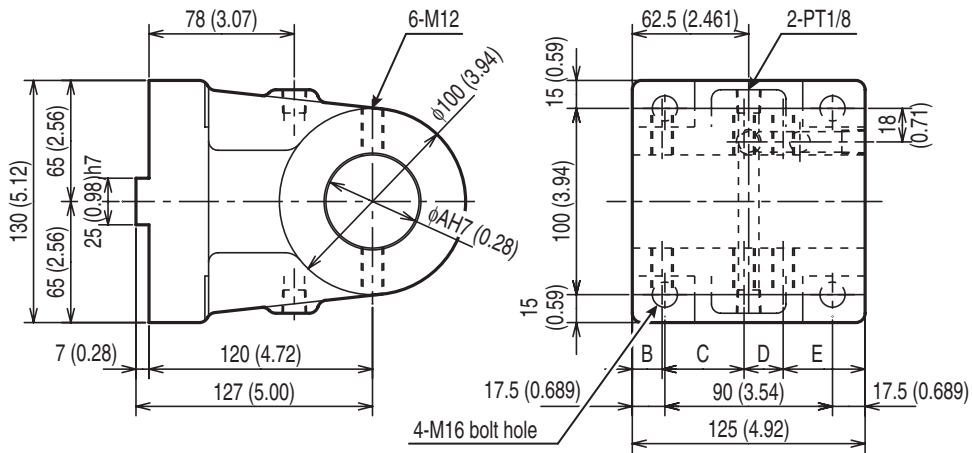
HO10B-1"	A=2" (50.8)	B=1" (25.4)	C=35.9
HO10B-1 1/4"	A=2 1/2" (63.5)	B=1 1/4" (31.75)	C=45.25

HO10B-25	A=50	B=25	C=35.5
HO10B-32	A=64	B=32	C=45.5

Unit: mm (in.)

LE11176R0400900040002

HB10B-**



	A	B	C	D	E
HB10B-40	40	16	44	21	44
HB10B-50	50	16	44	45	20
HB10B-60	60	25	37.5	37.5	25
HB10B-63	63	25	37.5	37.5	25
HB10B-1 ³ / ₄ "	1 ³ / ₄ " ($\phi 44.45$)	16	44	45	20
HB10B-2"	2" ($\phi 50.8$)	16	44	45	20
HB10B-2 ¹ / ₂ "	2 ¹ / ₂ " ($\phi 63.5$)	25	37.5	37.5	25

Unit: mm (in.)