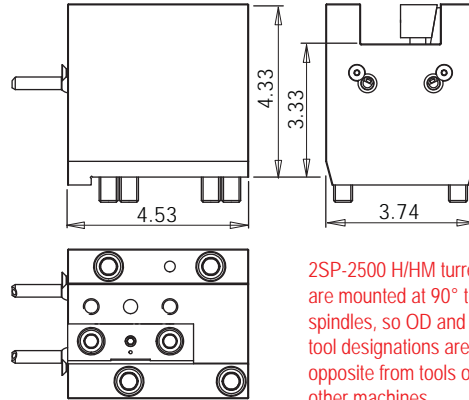
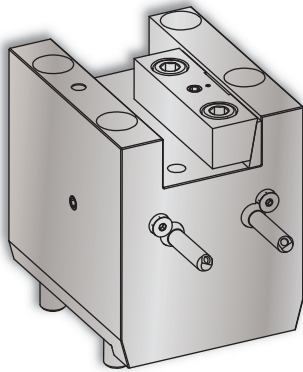


VELOCITY TOOLING FOR OKUMA 2SP-H/2SP-HM Series

2SP-2500H/HM Tools



2SP-2500H/HM OD-I Holder



2SP-2500 H/HM turrets are mounted at 90° to spindles, so OD and live tool designations are opposite from tools on other machines.

Notes

3D Models (.stp) and CAS (.stl) files are available for all *VELOCITY/SU-matic* tool holders. Please contact Velocity: sales@velocityproducts.com.

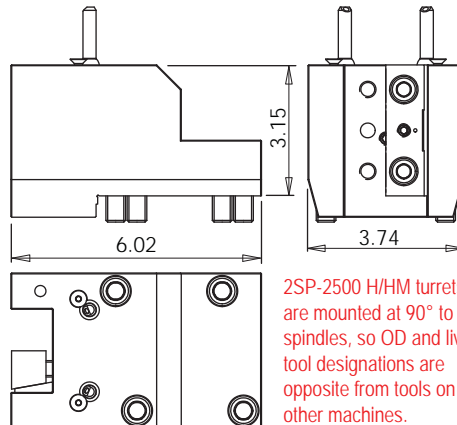
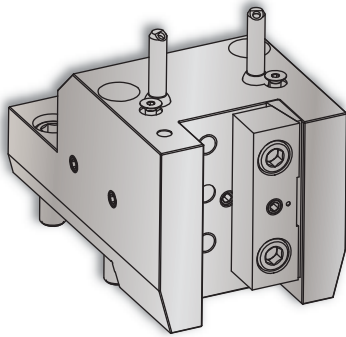
Turret Plugs	14.430.0.0086.0
--------------	-----------------

VELOCITY/SU-matic tooling for OKUMA is manufactured on OKUMA machine tools.

VELOCITY has the most complete inventory of tooling for OKUMA machine tools in North America.

Tool #	Reversible (Main/Sub)	Stick Size
14.910.0.0496.0	No	1.0"

2SP-2500H/HM OD-II Holder



2SP-2500 H/HM turrets are mounted at 90° to spindles, so OD and live tool designations are opposite from tools on other machines.

Notes

3D Models (.stp) and CAS (.stl) files are available for all *VELOCITY/SU-matic* tool holders. Please contact Velocity: sales@velocityproducts.com.

Turret Plugs	14.430.0.0086.0
--------------	-----------------

VELOCITY/SU-matic tooling for OKUMA is manufactured on OKUMA machine tools.

VELOCITY has the most complete inventory of tooling for OKUMA machine tools in North America.

Tool #	Reversible (Main/Sub)	Stick Size
14.910.0.0498.0	No	1.0"