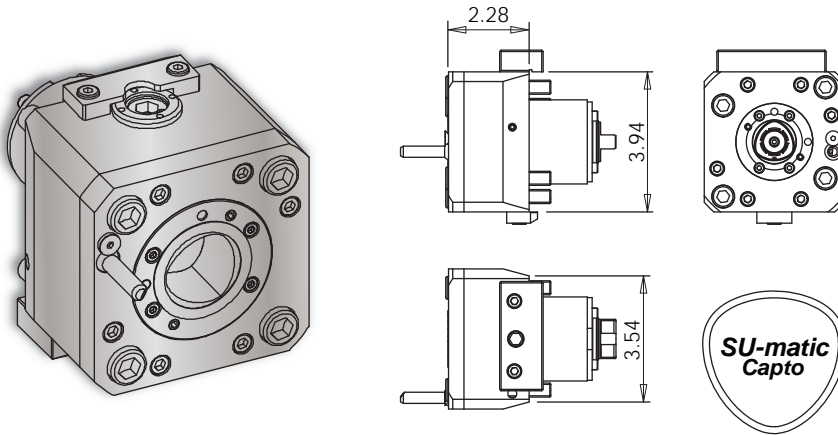


# VELOCITY TOOLING FOR OKUMA GENOS L300/L3000 BMT

## SU-matic Capto® Tools



### GENOS L300/L3000 C4 Cross Tool



### Notes

#### REGO-FIX® C4 Collet Chucks

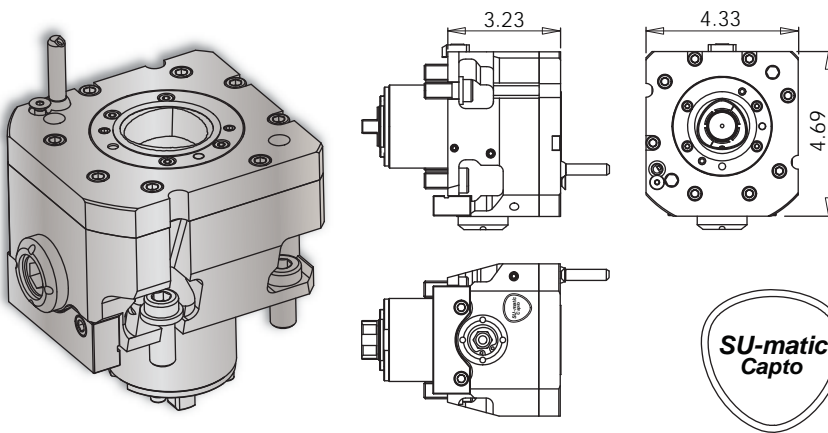
| ER Output    | Rego-Fix Part # |
|--------------|-----------------|
| ER-16        | 2804.11630      |
| ER-20        | 2804.12010      |
| ER-25        | 2804.12510      |
| ER-32        | 2804.13210      |
| Turret Plugs | 14.430.0.0086.0 |

\* 1,000 psi internal coolant (IC) cross tool CANNOT be run without coolant.

All coolant thru live tools require 30 micron coolant filtration nominal, 50 micron coolant filtration absolute.

| Tool #                               | Coolant                | Output | Rotation (In:Out) | Ratio (In:Out) | Max. RPM | Torque | Hex Wrench | C4 Collet Chucks |
|--------------------------------------|------------------------|--------|-------------------|----------------|----------|--------|------------|------------------|
| 14.101.0.0325.0<br>(14.101.0.0138.1) | IC & EXT*<br>1,000 psi | C4     | CW:CW             | 1:1            | 6,000    | 60 Nm  | 10 mm      | See Above        |

### GENOS L300/L3000 C5 Cross Tool



### Notes

#### REGO-FIX® C5 Collet Chucks

| ER Output    | Rego-Fix Part # |
|--------------|-----------------|
| ER-16        | 4805.11630      |
| ER-20        | 2805.12010      |
| ER-25        | 2805.12510      |
| ER-32        | 2805.13210      |
| Turret Plugs | 14.430.0.0086.0 |

\* 1,000 psi internal coolant (IC) cross tool CANNOT be run without coolant.

All coolant thru live tools require 30 micron coolant filtration nominal, 50 micron coolant filtration absolute.

| Tool #          | Coolant                | Output | Rotation (In:Out) | Ratio (In:Out) | Max. RPM | Torque | Hex Wrench | C5 Collet Chucks |
|-----------------|------------------------|--------|-------------------|----------------|----------|--------|------------|------------------|
| 14.101.0.0316.0 | IC & EXT*<br>1,000 psi | C5     | CW:CW             | 1:1            | 6,000    | 60 Nm  | 10 mm      | See Above        |