

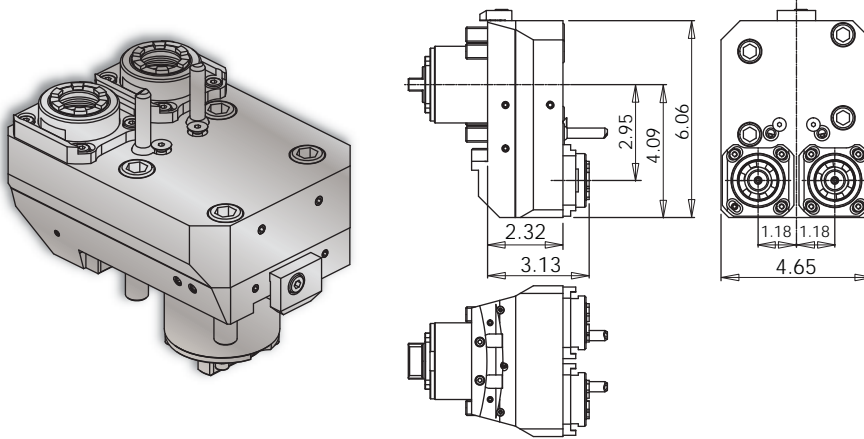
VELOCITY TOOLING FOR OKUMA GENOS L300/L3000 BMT

Live Tools



GENOS L300/L3000 MY • L300 MYW Y-Axis Cross Tool • ERAX-25 Outputs

Notes



Wrenches Included with Tools

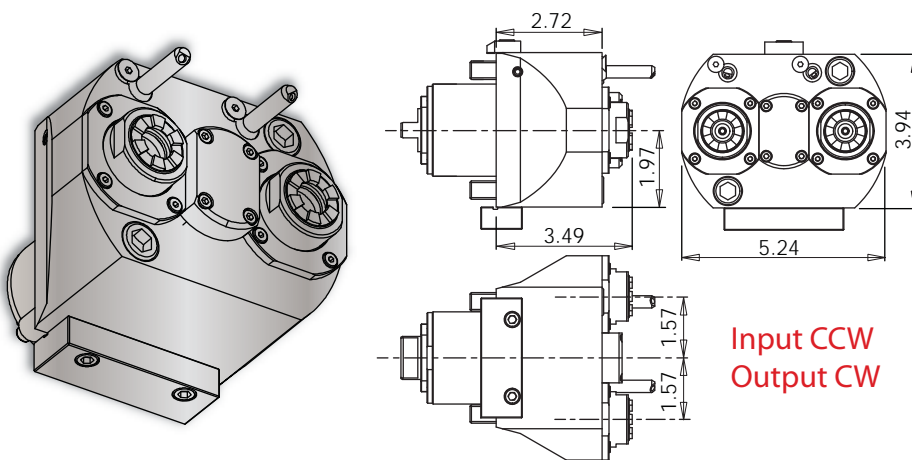
| Maximum Drill Ø | Maximum Mill Ø |
|------------------------------|----------------|
| 5/8" | 17/32" |
| Turret Plugs 14.430.0.0086.0 | |

VELOCITY/SU-matic driven tools are greased for life and delivered ready to use - **no run-in required**. All driven tools are CMM inspected and internal coolant tools are pressure tested as a final quality check prior to shipment.

| Tool # | Coolant | Output | Rotation (In:Out) | Ratio (In:Out) | Max. RPM | Torque | Spindle Wrench | Collet Wrench |
|-----------------|---------|-------------|-------------------|----------------|----------|--------|----------------|---------------|
| 14.101.0.0261.0 | EXT | (2) ERAX-25 | CW:CW | 1:1 | 6,000 | 40 Nm | Special | 7117.25000 |

GENOS L300/L3000 MY • L300 MYW Y-Axis Cross Tool • ERAX-20 Outputs

Notes



Wrenches Included with Tools

| Maximum Drill Ø | Maximum Mill Ø |
|------------------------------|----------------|
| 1/2" | 15//32" |
| Turret Plugs 14.430.0.0086.0 | |

VELOCITY/SU-matic driven tools are greased for life and delivered ready to use - **no run-in required**. All driven tools are CMM inspected and internal coolant tools are pressure tested as a final quality check prior to shipment.

| Tool # | Coolant | Output | Rotation (In:Out) | Ratio (In:Out) | Max. RPM | Torque | Spindle Wrench | Collet Wrench |
|-----------------|---------|-------------|-------------------|----------------|----------|--------|----------------|---------------|
| 14.101.0.0161.0 | EXT | (2) ERAX-20 | CCW:CW | 1:1 | 6,000 | 40 Nm | 32 mm | 7117.20000 |