

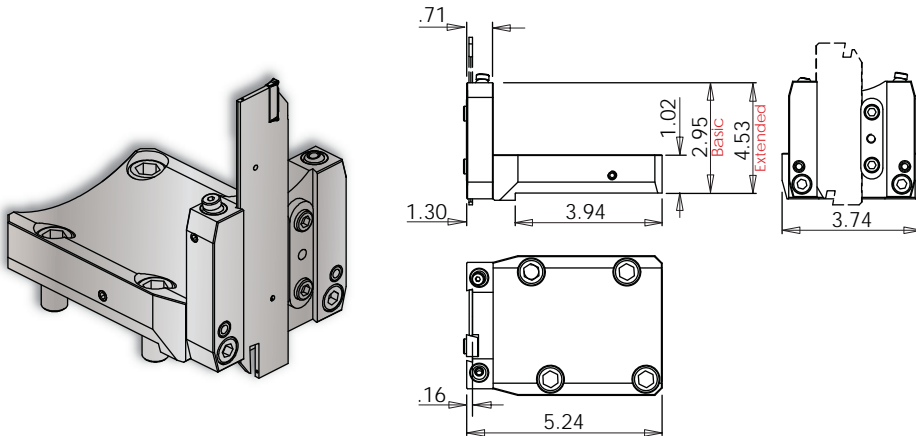
# VELOCITY TOOLING FOR OKUMA GENOS L300/L3000 BMT

## Static Tools



### GENOS L300/L3000 Cut-Off Blade Holder • Basic & Extended Height

### Notes



3D Models (.stp) and CAS (.stl) files are available for all **VELOCITY/SU-matic** tool holders. Please contact Velocity: [sales@velocityproducts.com](mailto:sales@velocityproducts.com).

Turret Plugs	14.430.0.0086.0
--------------	-----------------

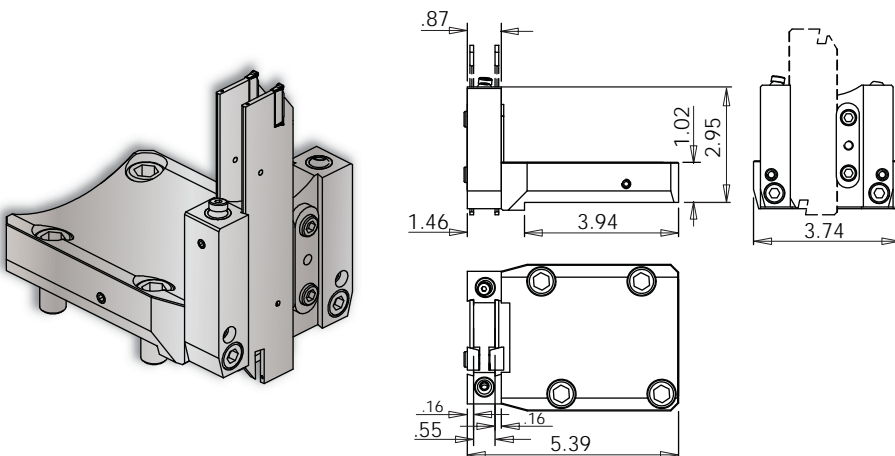
**VELOCITY/SU-matic** tooling for OKUMA is manufactured on OKUMA machine tools.

**VELOCITY** has the most complete inventory of tooling for OKUMA machine tools in North America.

Tool #	Reversible (Main/Sub)	Blade Size	Depth	Width	Height
14.910.0.0169.1	Yes	32 mm	5.24"	3.74"	2.95"
14.910.0.0058.1	Yes	32 mm	5.24"	3.74"	4.53"

### GENOS L300/L3000 Cut-Off Blade Holder • Premium

### Notes



3D Models (.stp) and CAS (.stl) files are available for all **VELOCITY/SU-matic** tool holders. Please contact Velocity: [sales@velocityproducts.com](mailto:sales@velocityproducts.com).

Turret Plugs	14.430.0.0086.0
--------------	-----------------

**VELOCITY/SU-matic** tooling for OKUMA is manufactured on OKUMA machine tools.

**VELOCITY** has the most complete inventory of tooling for OKUMA machine tools in North America.

Tool #	Reversible (Main/Sub)	Blade Size	Depth	Width	Height
14.910.0.0207.1	Yes	32 mm	5.39"	3.74"	2.95"