

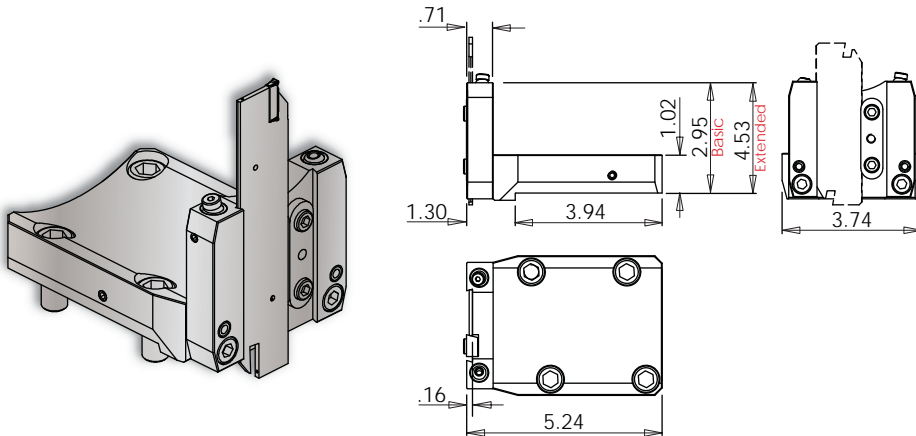
VELOCITY TOOLING FOR OKUMA GENOS L300/L3000 BMT

Static Tools



GENOS L300/L3000 Cut-Off Blade Holder • Basic & Extended Height

Notes



3D Models (.stp) and CAS (.stl) files are available for all **VELOCITY/SU-matic** tool holders. Please contact Velocity: sales@velocityproducts.com.

Turret Plugs	14.430.0.0086.0
--------------	-----------------

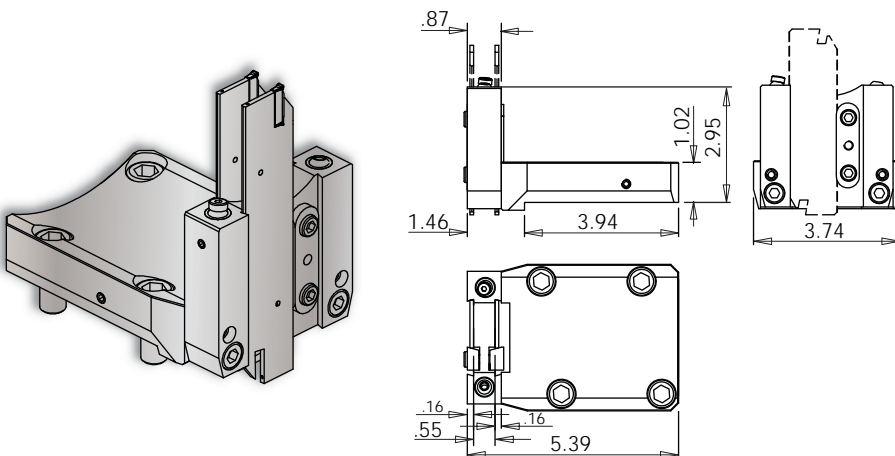
VELOCITY/SU-matic tooling for OKUMA is manufactured on OKUMA machine tools.

VELOCITY has the most complete inventory of tooling for OKUMA machine tools in North America.

Tool #	Reversible (Main/Sub)	Blade Size	Depth	Width	Height
14.910.0.0169.1	Yes	32 mm	5.24"	3.74"	2.95"
14.910.0.0058.1	Yes	32 mm	5.24"	3.74"	4.53"

GENOS L300/L3000 Cut-Off Blade Holder • Premium

Notes



3D Models (.stp) and CAS (.stl) files are available for all **VELOCITY/SU-matic** tool holders. Please contact Velocity: sales@velocityproducts.com.

Turret Plugs	14.430.0.0086.0
--------------	-----------------

VELOCITY/SU-matic tooling for OKUMA is manufactured on OKUMA machine tools.

VELOCITY has the most complete inventory of tooling for OKUMA machine tools in North America.

Tool #	Reversible (Main/Sub)	Blade Size	Depth	Width	Height
14.910.0.0207.1	Yes	32 mm	5.39"	3.74"	2.95"