

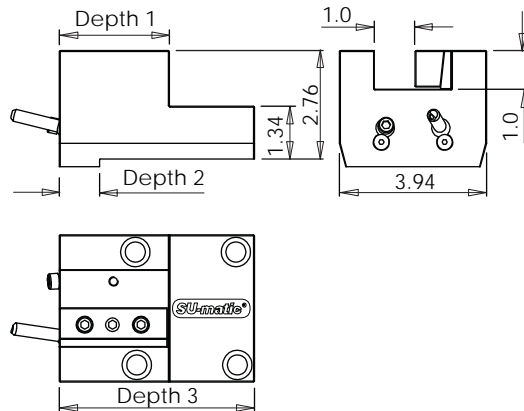
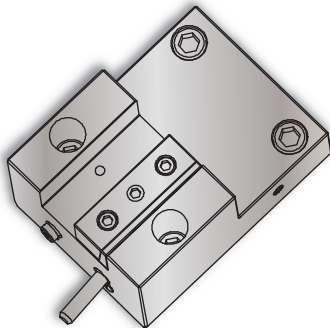
# VELOCITY TOOLING FOR OKUMA GENOS L300/L3000 BMT

## Static Tools



### GENOS L300/L3000 OD-II Face Turning Holders

### Notes



3D Models (.stp) and CAS (.stl) files are available for all **VELOCITY/SU-matic** tool holders. Please contact Velocity: [sales@velocityproducts.com](mailto:sales@velocityproducts.com).

Turret Plugs 14.430.0.0086.0

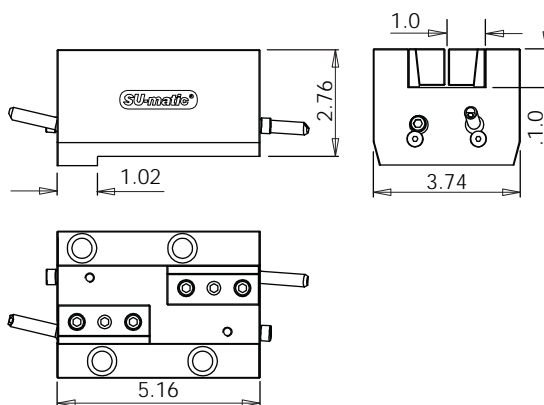
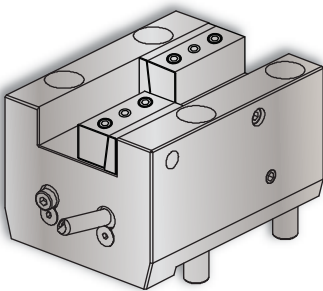
**VELOCITY/SU-matic** tooling for OKUMA is manufactured on OKUMA machine tools.

**VELOCITY** has the most complete inventory of tooling for OKUMA machine tools in North America.

Tool #	Reversible (Main/Sub)	Stick Size	Depth 1	Depth 2	Depth 3
14.910.0.0216.0	Yes	.75"	2.60"	.83"	4.76"
14.910.0.0210.0	Yes	1.0"	2.80"	1.02"	4.96"

### GENOS L300/L3000 MW • L300 MYW OD-II-S Face Turning Holder

### Notes



3D Models (.stp) and CAS (.stl) files are available for all **VELOCITY/SU-matic** tool holders. Please contact Velocity: [sales@velocityproducts.com](mailto:sales@velocityproducts.com).

Turret Plugs 14.430.0.0086.0

**VELOCITY/SU-matic** tooling for OKUMA is manufactured on OKUMA machine tools.

**VELOCITY** has the most complete inventory of tooling for OKUMA machine tools in North America.

Tool #	Reversible (Main/Sub)	Stick Size	Depth 1	Depth 2	Width
14.910.0.0213.0	Yes	1.0"	1.02"	5.16	3.74"