

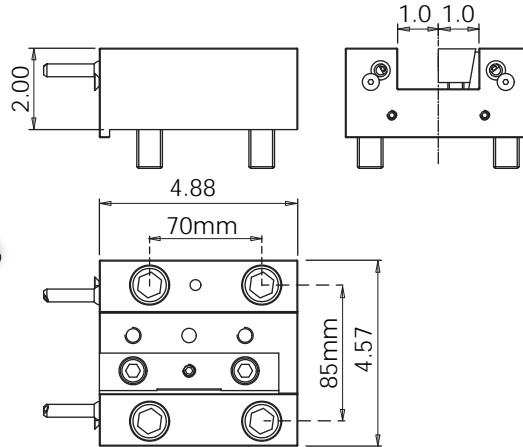
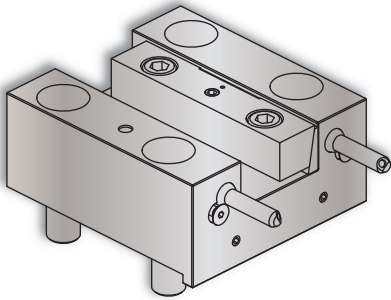
VELOCITY TOOLING FOR OKUMA LB35III/LB45III • LU35II/LU45II

LB35III/LU35II "L" Turret Holders



OD-II Holder for LB35III • LU35II

Notes



3D Models (.stp) and CAS (.stl) files are available for all *VELOCITY/SU-matic* tool holders. Please contact Velocity: sales@velocityproducts.com.

VELOCITY/SU-matic tooling for OKUMA is manufactured on OKUMA machine tools.

VELOCITY has the most complete inventory of tooling for OKUMA machine tools in North America.

Lathe Model	Tool #	Reversible (Main/Sub)	Stick Size	Mounting Bolt Centers	Height	Depth
LB35III • LU35II	14.910.0.0311.0	No	1.0"	70mm x 85mm	2.00"	4.88"

