

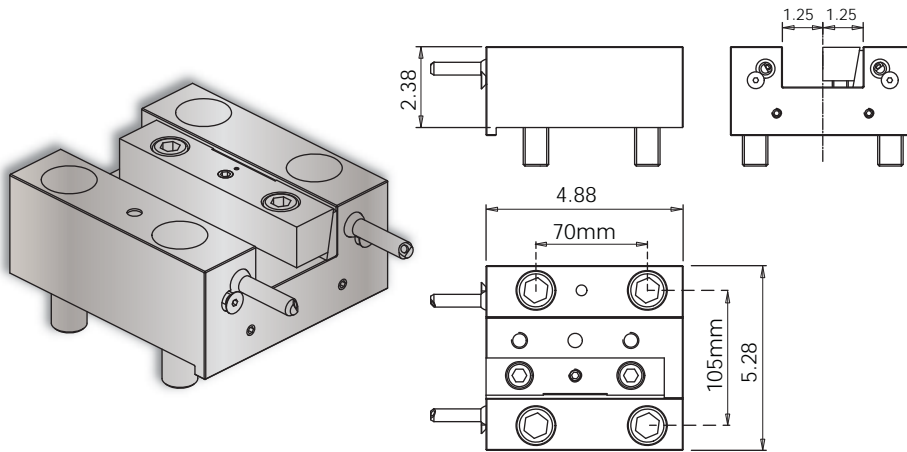
# VELOCITY TOOLING FOR OKUMA LB35III/LB45III • LU35II/LU45II

## LB45III/LU45II "L" Turret Holders



OD-II Holder for LB45III • LU45II

Notes



3D Models (.stp) and CAS (.stl) files are available for all *VELOCITY/SU-matic* tool holders. Please contact Velocity: [sales@velocityproducts.com](mailto:sales@velocityproducts.com).

*VELOCITY/SU-matic* tooling for OKUMA is manufactured on OKUMA machine tools.

*VELOCITY* has the most complete inventory of tooling for OKUMA machine tools in North America.

Lathe Model	Tool #	Reversible (Main/Sub)	Stick Size	Mounting Bolt Centers	Height	Depth
LB45III • LU45II	14.910.0.0314.0	No	1.25"	70mm x 105mm	2.38"	4.88"

