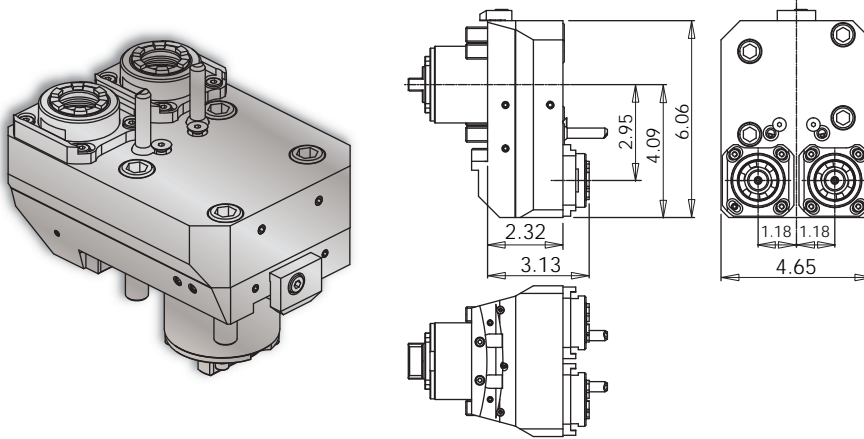


VELOCITY TOOLING FOR OKUMA LB2000/LB3000 M/MY/MYW

Live Tools



LB2000/LB3000 MY/MYW Offset Y-Axis Cross Tool • ERAX-25 Outputs



Notes

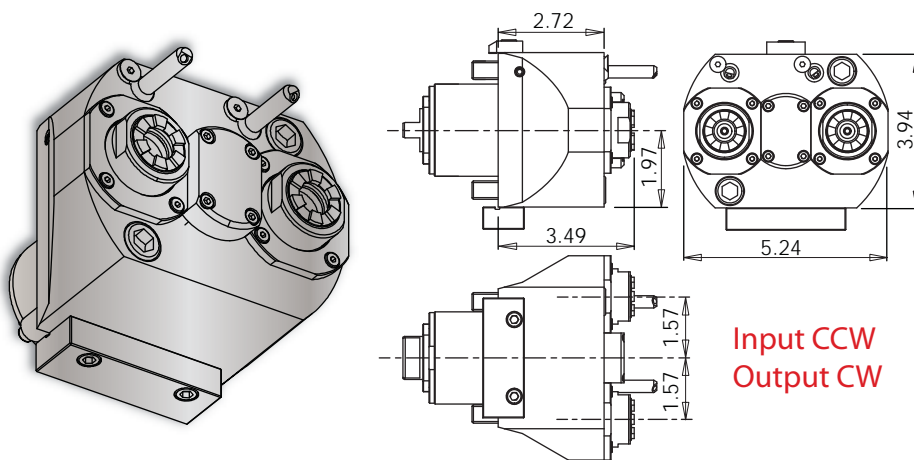
Wrenches Included with Tools

Maximum Drill Ø	Maximum Mill Ø
5/8"	17/32"
Turret Plugs 14.430.0.0086.0	

VELOCITY/SU-matic driven tools are greased for life and delivered ready to use - **no run-in required**. All driven tools are CMM inspected and internal coolant tools are pressure tested as a final quality check prior to shipment.

Tool #	Coolant	Output	Rotation (In:Out)	Ratio (In:Out)	Max. RPM	Torque	Spindle Wrench	Collet Wrench
14.101.0.0261.0	EXT	(2) ERAX-25	CW:CW	1:1	6,000	40 Nm	Special	7117.25000

LB2000/LB3000 MY Y-Axis Cross Tool • ERAX-20 Outputs



Notes

Wrenches Included with Tools

Maximum Drill Ø	Maximum Mill Ø
1/2"	15//32"
Turret Plugs 14.430.0.0086.0	

VELOCITY/SU-matic driven tools are greased for life and delivered ready to use - **no run-in required**. All driven tools are CMM inspected and internal coolant tools are pressure tested as a final quality check prior to shipment.

Tool #	Coolant	Output	Rotation (In:Out)	Ratio (In:Out)	Max. RPM	Torque	Spindle Wrench	Collet Wrench
14.101.0.0161.0	EXT	(2) ERAX-20	CCW:CW	1:1	6,000	40 Nm	32 mm	7117.20000