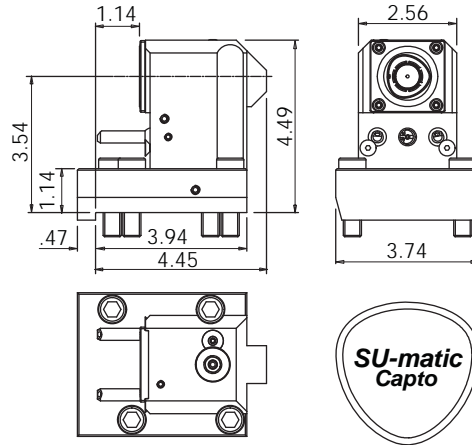
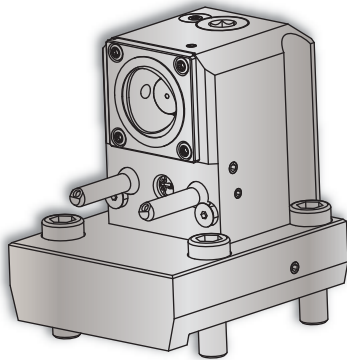


# VELOCITY TOOLING FOR OKUMA LB2000/LB3000 M/MY/MYW

## SU-matic Capto® Tools



### LB2000/LB3000 C4 Boring Bar Holder



### Notes

#### REGO-FIX® C4 Collet Chucks

| ER Output | Rego-Fix Part # |
|-----------|-----------------|
| ER-16     | 2804.11630      |
| ER-20     | 2804.12010      |
| ER-25     | 2804.12510      |
| ER-32     | 2804.13210      |

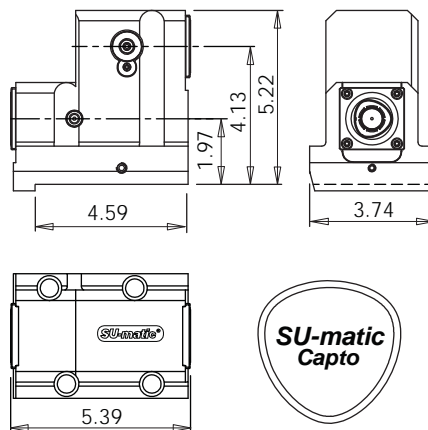
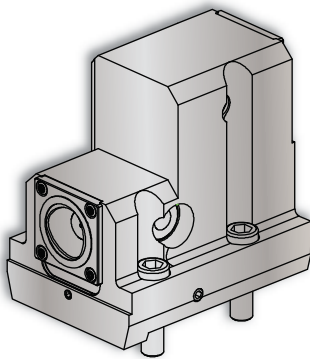
Turret Plugs 14.430.0.0086.0

VELOCITY/SU-matic tooling for OKUMA is manufactured on OKUMA machine tools.

SU-matic Capto® static tools are coolant thru. Coolant filtration is recommended.

| Lathe Model | Tool #          | Reversible (Main/Sub) | Coolant | Output | Hex Wrench | C4 Collet Chucks |
|-------------|-----------------|-----------------------|---------|--------|------------|------------------|
| LB3000 M    | 14.910.0.0237.0 | Yes                   | IC/EXT  | C4     | 10 mm      | See Above        |

### LB3000 MW C4 Boring Bar Holder



### Notes

#### REGO-FIX® C4 Collet Chucks

| ER Output | Rego-Fix Part # |
|-----------|-----------------|
| ER-16     | 2804.11630      |
| ER-20     | 2804.12010      |
| ER-25     | 2804.12510      |
| ER-32     | 2804.13210      |

Turret Plugs 14.430.0.0086.0

VELOCITY/SU-matic tooling for OKUMA is manufactured on OKUMA machine tools.

SU-matic Capto® static tools are coolant thru. Coolant filtration is recommended.

| Lathe Model | Tool #          | Reversible (Main/Sub) | Coolant | Output | Hex Wrench | C4 Collet Chucks |
|-------------|-----------------|-----------------------|---------|--------|------------|------------------|
| LB3000 MW   | 14.910.0.0044.0 | Yes                   | IC/EXT  | (2) C4 | 10 mm      | See Above        |