

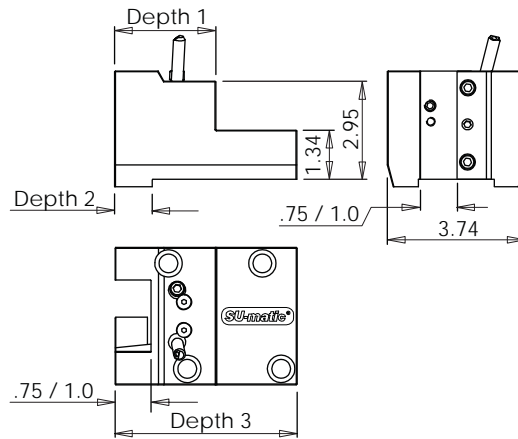
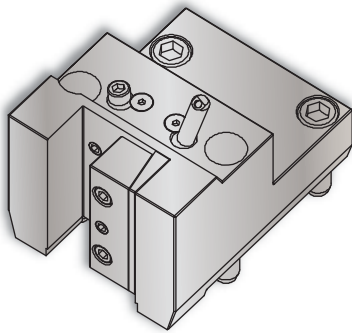
# VELOCITY TOOLING FOR OKUMA LB2000/LB3000 M/MY/MYW

## Static Tools



### LB2000 M / LB3000 M OD-I Length Turning Holders

### Notes



3D Models (.stp) and CAS (.stl) files are available for all **VELOCITY/SU-matic** tool holders. Please contact Velocity: [sales@velocityproducts.com](mailto:sales@velocityproducts.com).

Turret Plugs	14.430.0.0086.0
--------------	-----------------

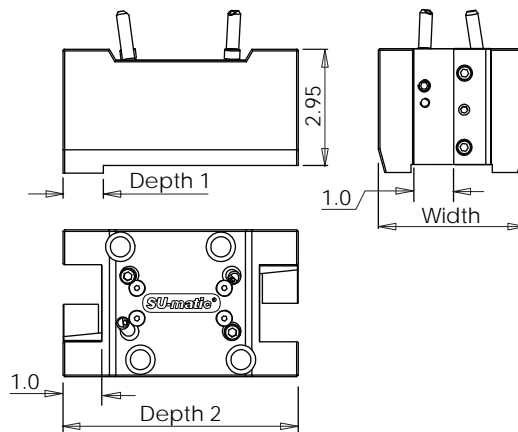
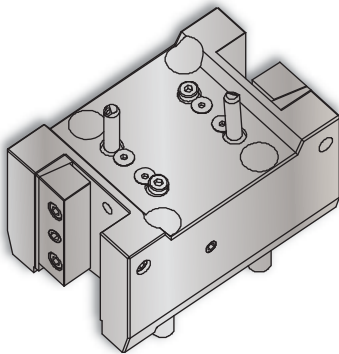
**VELOCITY/SU-matic** tooling for OKUMA is manufactured on OKUMA machine tools.

**VELOCITY** has the most complete inventory of tooling for OKUMA machine tools in North America.

Lathe Model	Tool #	Reversible (Main/Sub)	Stick Size	Depth 1	Depth 2	Depth 3
LB2000 M	14.910.0.0215.0	Yes	.75"	2.56"	.83"	4.76"
LB3000 M	14.910.0.0209.0	Yes	1.0"	2.76"	1.02"	4.96"

### LB3000 MYW OD-I-S Length Turning Holder

### Notes



3D Models (.stp) and CAS (.stl) files are available for all **VELOCITY/SU-matic** tool holders. Please contact Velocity: [sales@velocityproducts.com](mailto:sales@velocityproducts.com).

Turret Plugs	14.430.0.0086.0
--------------	-----------------

**VELOCITY/SU-matic** tooling for OKUMA is manufactured on OKUMA machine tools.

**VELOCITY** has the most complete inventory of tooling for OKUMA machine tools in North America.

Lathe Model	Tool #	Reversible (Main/Sub)	Stick Size	Depth 1	Depth 2	Width
LB3000 MYW	14.910.0.0212.0	Yes	1.0"	1.02"	5.98"	3.74"