

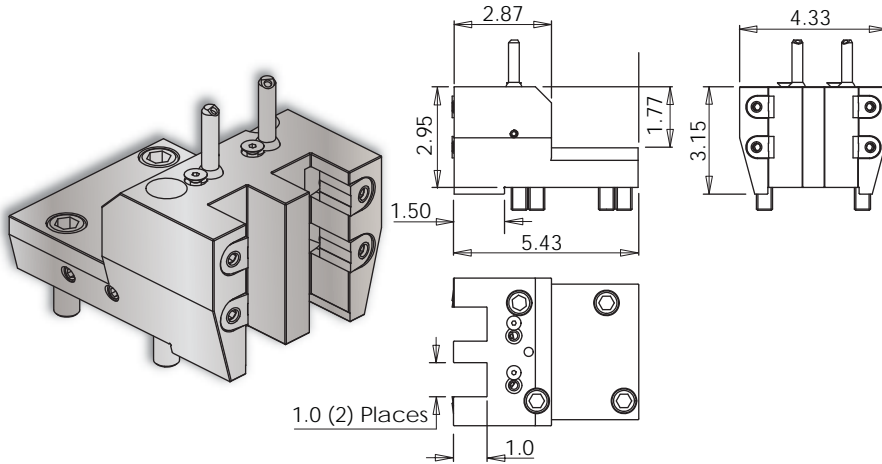
VELOCITY TOOLING FOR OKUMA LB2000/LB3000 M/MY/MYW

Static Tools



LB2000/LB3000 MY OD-I Length Turning Holder

Notes



3D Models (.stp) and CAS (.stl) files are available for all **VELOCITY/SU-matic** tool holders. Please contact Velocity: sales@velocityproducts.com.

Turret Plugs	14.430.0.0086.0
--------------	-----------------

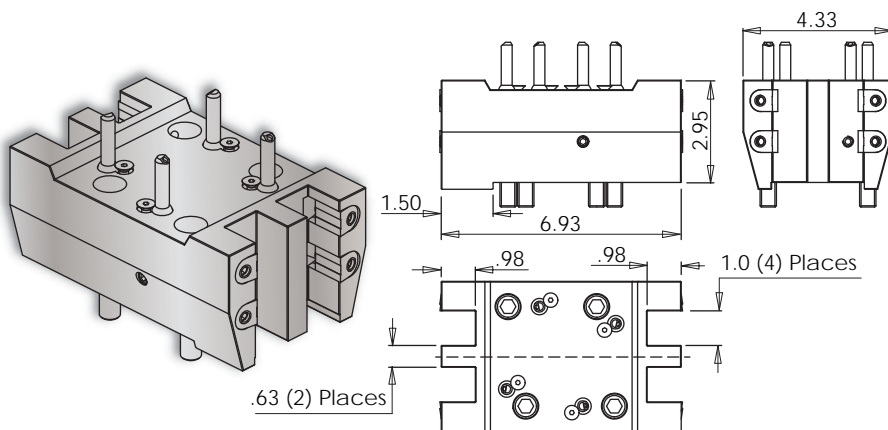
VELOCITY/SU-matic tooling for OKUMA is manufactured on OKUMA machine tools.

VELOCITY has the most complete inventory of tooling for OKUMA machine tools in North America.

Lathe Model	Tool #	Reversible (Main/Sub)	Stick Size	Depth	Width	Height
LB2000 MY LB3000 MY	14.910.0.0392.0	Yes	1.0"	5.43"	4.33"	2.95"

LB3000 MYW OD-I-S Length Turning Holder

Notes



3D Models (.stp) and CAS (.stl) files are available for all **VELOCITY/SU-matic** tool holders. Please contact Velocity: sales@velocityproducts.com.

Turret Plugs	14.430.0.0086.0
--------------	-----------------

VELOCITY/SU-matic tooling for OKUMA is manufactured on OKUMA machine tools.

VELOCITY has the most complete inventory of tooling for OKUMA machine tools in North America.

Lathe Model	Tool #	Reversible (Main/Sub)	Stick Size	Depth	Width	Height
LB3000 MYW	14.910.0.0231.0	Yes	1.0"	6.93"	4.33"	2.95"