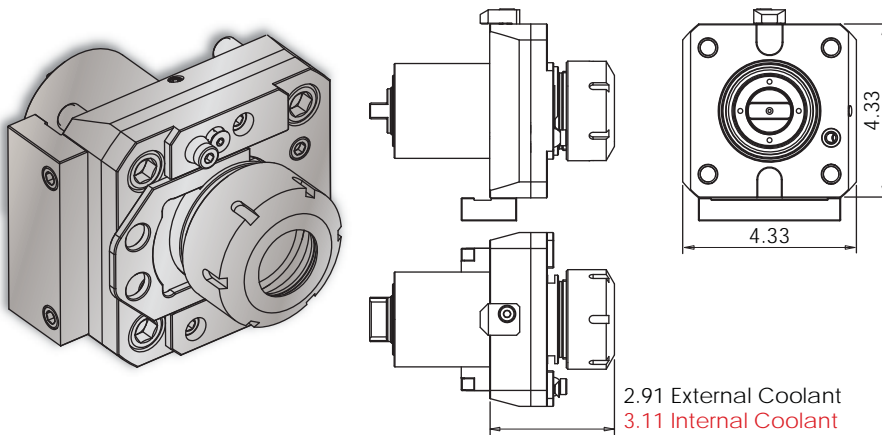


VELOCITY TOOLING FOR OKUMA LB4000 M/MY

Live Tools



LB4000 M Cross Tools • ER-40 Output



Notes

Wrenches Included with Tools

Maximum Drill Ø		Maximum Mill Ø	
EXT	1"	EXT	15/16"
IC	1"	IC	15/16"

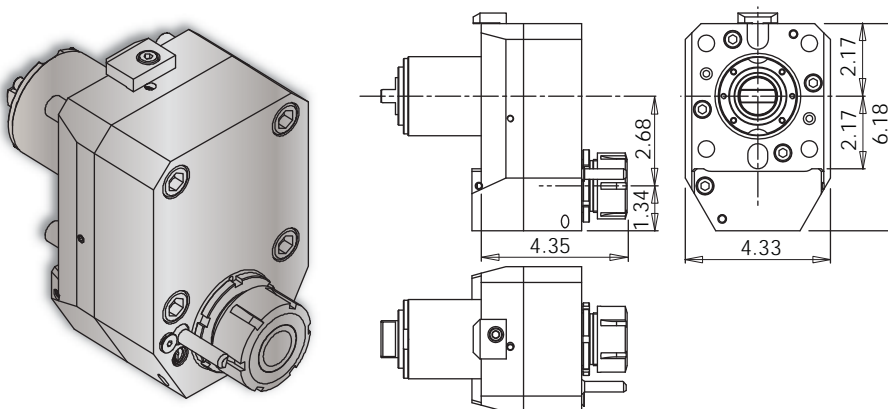
Turret Plugs 14.430.0.0087.0

* 1,000 psi internal coolant (IC) cross tool CANNOT be run without coolant.

All coolant thru tools require 30 micron coolant filtration nominal, 50 micron coolant filtration absolute.

Tool #	Coolant	Output	Rotation (In:Out)	Ratio (In:Out)	Max. RPM	Torque	Spindle Wrench	Collet Wrench
14.101.0.0334.0 (14.101.0.0080.0)	EXT	ER-40	CW:CW	1:1	6,000	85 Nm	1005100980	7111.40000
14.101.0.0333.0 (14.101.0.0079.0)	IC & EXT* 1,000 psi	ERC-40	CW:CW	1:1	6,000	85 Nm	1005100980	7111.40000

LB4000 M Offset Cross Tool • ER-32 Output



Notes

Wrenches Included with Tools

Maximum Drill Ø	Maximum Mill Ø
3/4"	23/32"

Turret Plugs 14.430.0.0087.0

* 1,000 psi internal coolant (IC) cross tool CANNOT be run without coolant.

All coolant thru tools require 30 micron coolant filtration nominal, 50 micron coolant filtration absolute.

Tool #	Coolant	Output	Rotation (In:Out)	Ratio (In:Out)	Max. RPM	Torque	Spindle Wrench	Collet Wrench
14.101.0.0147.0	IC & EXT* 1,000 psi	ER-32	CW:CW	1:1	6,000	85 Nm	52-55 Hook	7111.32000