

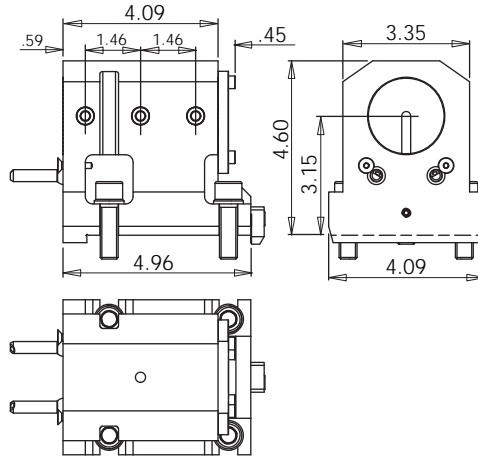
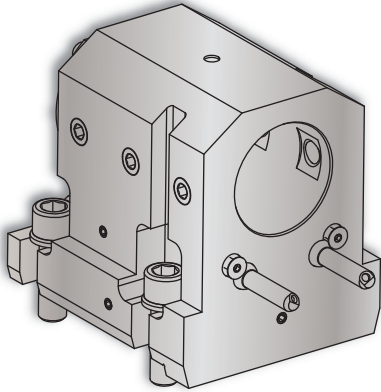
VELOCITY TOOLING FOR OKUMA LB4000 M/MY

Static Tools



LB4000 M 2" Full Depth Boring Bar Holder

Notes



VELOCITY/SU-matic ID holders can be used with both internal and external coolant.
Internal Coolant Plates are included with all *VELOCITY/SU-matic* multitasking turret ID holders.

Turret Plugs 14.430.0.0087.0

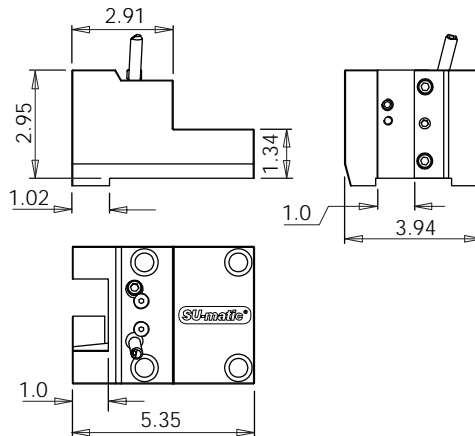
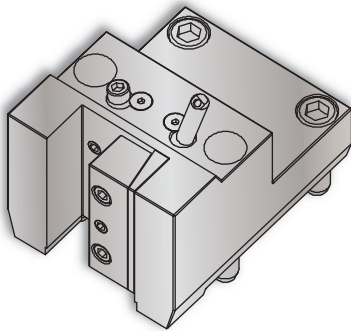
VELOCITY/SU-matic tooling for OKUMA is manufactured on OKUMA machine tools.

Coolant filtration is recommended when using ID holders with internal coolant plates.

Lathe Model	Tool #	Reversible (Main/Sub)	Coolant	ID	Height	Depth
LB4000 M	14.910.0.0472.0	-	IC/EXT	2"	4.60"	4.96"

LB4000 M OD-1 Length Turning Holder

Notes



3D Models (.stp) and CAS (.stl) files are available for all *VELOCITY/SU-matic* tool holders. Please contact Velocity: sales@velocityproducts.com.

Turret Plugs 14.430.0.0087.0

VELOCITY/SU-matic tooling for OKUMA is manufactured on OKUMA machine tools.

VELOCITY has the most complete inventory of tooling for OKUMA machine tools in North America.

Lathe Model	Tool #	Reversible (Main/Sub)	Stick Size	Depth (Top)	Depth (Overall)	Height
LB4000 M	14.910.0.0221.0	Yes	1"	2.91"	5.35"	2.95"