

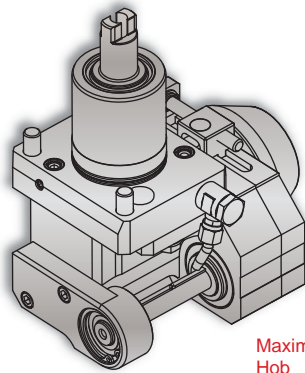
# VELOCITY TOOLING FOR OKUMA LT2000 M/MY

## Live Tools

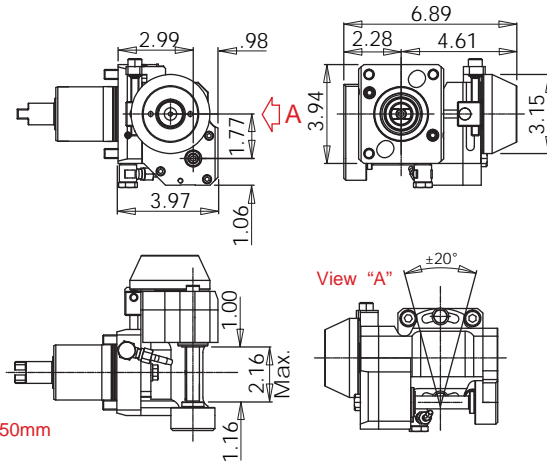


### LT2000 Gear Hobbing Tool • 3/4" Arbor

### Notes



Maximum Hob Diameter: 50mm



### Wrenches Included with Tools

| Maximum Hob Ø | Max. Gear Quality |
|---------------|-------------------|
|---------------|-------------------|

50 mm

AGMA 7

| Turret Plugs | 14.430.0.0088.0 |
|--------------|-----------------|
|--------------|-----------------|

14.430.0.0088.0

*VELOCITY/SU-matic* driven tools are greased for life and delivered ready to use - **no run-in required**. All driven tools are CMM inspected and internal coolant tools are pressure tested as a final quality check prior to shipment.

| Tool #          | Coolant | Arbor Diameter | Rotation (In:Out) | Ratio (In:Out) | Max. RPM | Torque | Maximum Hob Diameter |
|-----------------|---------|----------------|-------------------|----------------|----------|--------|----------------------|
| 14.800.0.0315.0 | EXT     | 3/4"           | CW:CCW            | 1:1            | 6,000    | 25 Nm  | 50 mm                |

