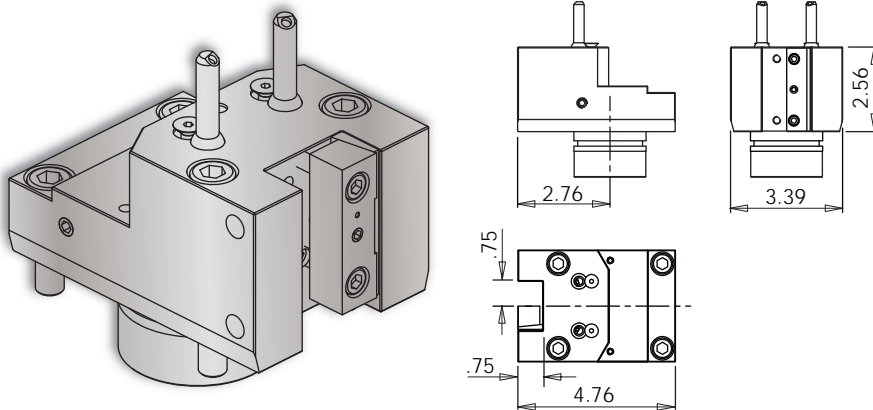


VELOCITY TOOLING FOR OKUMA LT2000 M/MY

Static Tools



LT2000 OD-I-S Length Turning Holder



Notes

3D Models (.stp) and CAS (.stl) files are available for all **VELOCITY/SU-matic** tool holders. Please contact Velocity: sales@velocityproducts.com.

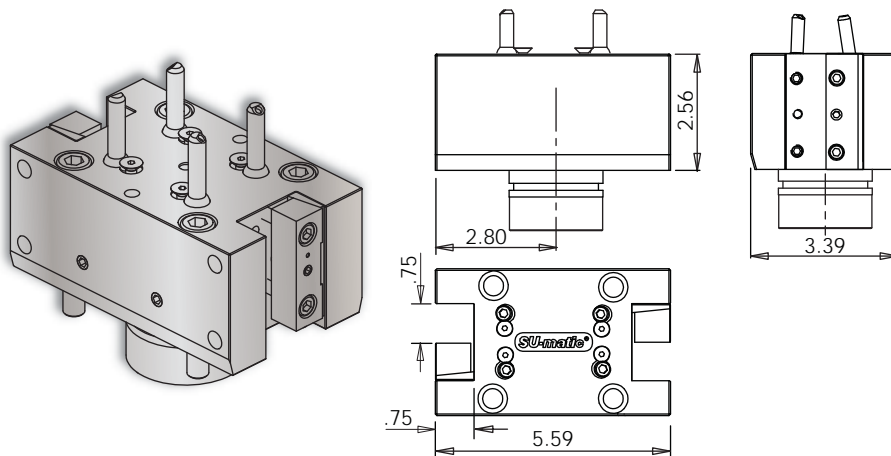
Turret Plugs	14.430.0.0088.0
--------------	-----------------

VELOCITY/SU-matic tooling for OKUMA is manufactured on OKUMA machine tools.

VELOCITY has the most complete inventory of tooling for OKUMA machine tools in North America.

Lathe Model	Tool #	Reversible (Main/Sub)	Stick Size	Depth	Height	Width
LT2000	14.910.0.0224.0	Yes	.75"	4.76"	2.56"	3.39"

LT2000 OD-I-D Length Turning Holder • Left / Right Spindles



Notes

3D Models (.stp) and CAS (.stl) files are available for all **VELOCITY/SU-matic** tool holders. Please contact Velocity: sales@velocityproducts.com.

Turret Plugs	14.430.0.0088.0
--------------	-----------------

VELOCITY/SU-matic tooling for OKUMA is manufactured on OKUMA machine tools.

VELOCITY has the most complete inventory of tooling for OKUMA machine tools in North America.

Lathe Model	Tool #	Reversible (Main/Sub)	Stick Size	Depth	Height	Width
LT2000	14.910.0.0225.0	-	.75"	5.59"	2.56"	3.39"