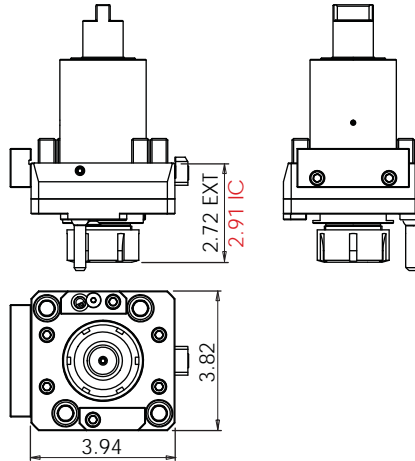
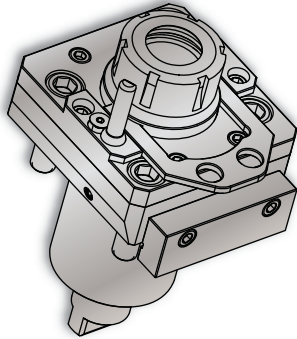


VELOCITY TOOLING FOR OKUMA LT3000 M/MY

Live Tools



LT3000 Cross Tools • ER-32 Output



Notes

Wrenches Included with Tools

Maximum Drill Ø		Maximum Mill Ø	
EXT	13/16"	EXT	23/32"
IC	3/4"	IC	23/32"

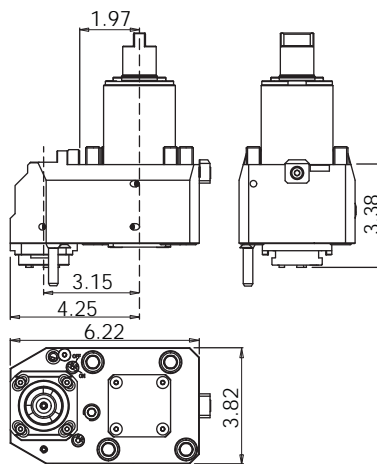
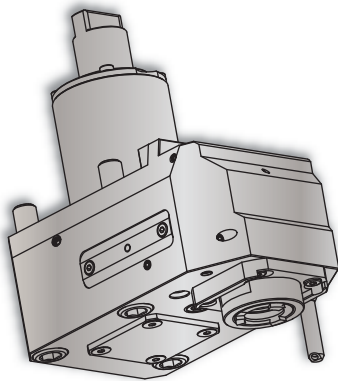
Turret Plugs 14.430.0.0086.0

* 1,000 psi internal coolant (IC) cross tool CANNOT be run without coolant.

All coolant thru live tools require 30 micron coolant filtration nominal, 50 micron coolant filtration absolute.

Tool #	Coolant	Output	Rotation (In:Out)	Ratio (In:Out)	Max. RPM	Torque	Spindle Wrench	Collet Wrench
14.101.0.0307.0 (14.101.0.0211.0)	EXT	ER-32	CW:CW	1:1	6,000	60 Nm	1005100980	7111.32000
14.101.0.0306.0 (14.101.0.0210.0)	IC & EXT* 1,000 psi	ERC-32	CW:CW	1:1	6,000	60 Nm	1005100980	7111.32000

LT3000 Offset Cross Tool • ERAX-25 Output



Notes

Wrenches Included with Tools

Maximum Drill Ø	Maximum Mill Ø
5/8	17/32"

Turret Plugs 14.430.0.0086.0

VELOCITY/SU-matic driven tools are greased for life and delivered ready to use - **no run-in required**. All driven tools are CMM inspected and internal coolant tools are pressure tested as a final quality check prior to shipment.

Tool #	Coolant	Output	Rotation (In:Out)	Ratio (In:Out)	Max. RPM	Torque	Spindle Wrench	Collet Wrench
14.101.0.0314.0	EXT	ERAX-25	CW:CW	1:1	6,000	40 Nm	Special	7117.25000