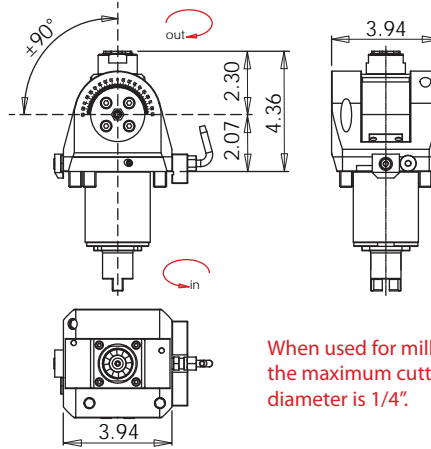
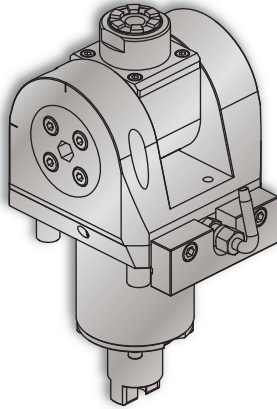


VELOCITY TOOLING FOR OKUMA LT3000 M/MY

Live Tools



LT3000 ±90° Adjustable Angle Tool • ERAX-20 Output



When used for milling, the maximum cutter diameter is 1/4".

Notes

Wrenches Included with Tools

Maximum Drill Ø

Maximum Mill Ø

1/2"

1/4"

Turret Plugs

14.430.0.0086.0

VELOCITY/SU-matic driven tools are greased for life and delivered ready to use - **no run-in required**. All driven tools are CMM inspected and internal coolant tools are pressure tested as a final quality check prior to shipment.

Tool #	Coolant	Output	Rotation (In:Out)	Ratio (In:Out)	Max. RPM	Torque	Spindle Wrench	Collet Wrench
14.826.0.0027.0	EXT	ERAX-20	CCW:CW	1:1	6,000	15 Nm	32 mm	7117.20000

