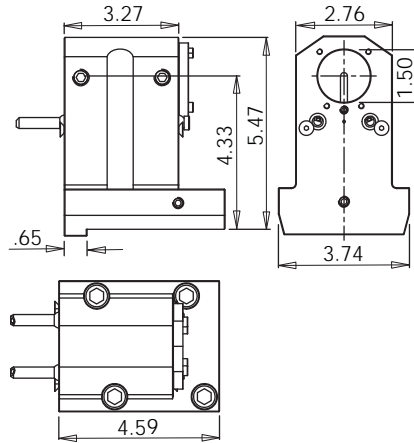
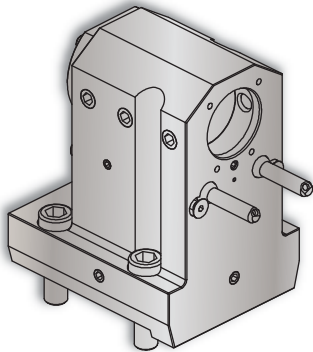


VELOCITY TOOLING FOR OKUMA LT3000 M/MY

Static Tools



LT3000 Boring Bar Holder



Notes

VELOCITY/SU-matic ID holders can be used with both internal and external coolant.

Internal Coolant Plates are included with all *VELOCITY/SU-matic* multitasking turret ID holders.

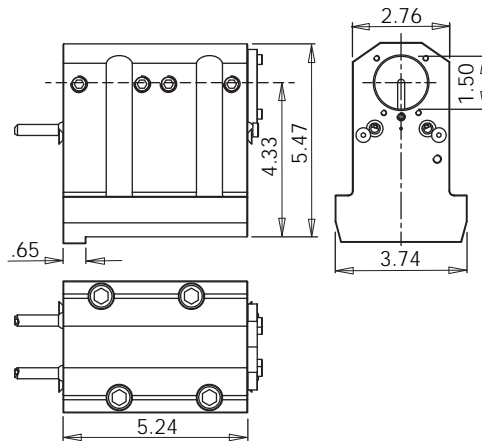
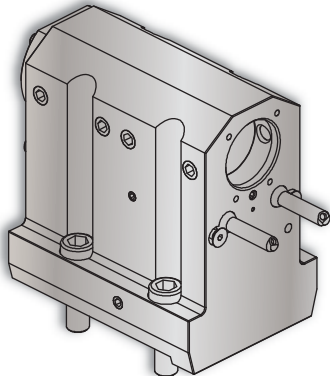
Turret Plugs 14.430.0.0086.0

VELOCITY/SU-matic tooling for OKUMA is manufactured on OKUMA machine tools.

Coolant filtration is recommended when using ID holders with internal coolant plates.

Lathe Model	Tool #	Reversible (Main/Sub)	Coolant	ID	Height	Depth (Top)
LT3000	14.910.0.0173.0	Yes	IC/EXT	1.5"	5.47"	3.27"

LT3000 1.5" Full Depth Boring Bar Holder



Notes

VELOCITY/SU-matic ID holders can be used with both internal and external coolant.

Internal Coolant Plates are included with all *VELOCITY/SU-matic* multitasking turret ID holders.

Turret Plugs 14.430.0.0086.0

VELOCITY/SU-matic tooling for OKUMA is manufactured on OKUMA machine tools.

Coolant filtration is recommended when using ID holders with internal coolant plates.

Lathe Model	Tool #	Reversible (Main/Sub)	Coolant	ID	Height	Depth
LT3000	14.910.0.0174.0	-	IC/EXT	1.5"	5.47"	5.24"