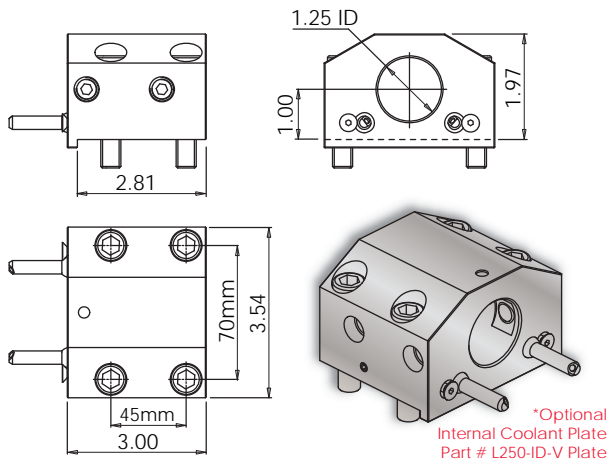


VELOCITY TOOLING FOR OKUMA "L" TURRET LATHES

"L" Turret Holders

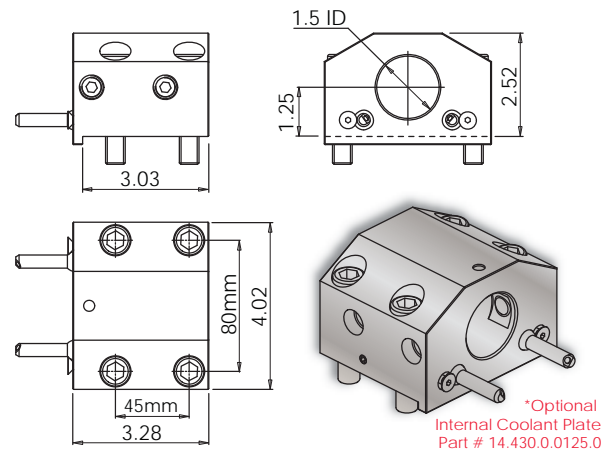


1.25" ID Holder: GENOS L250 • GENOS L2000L



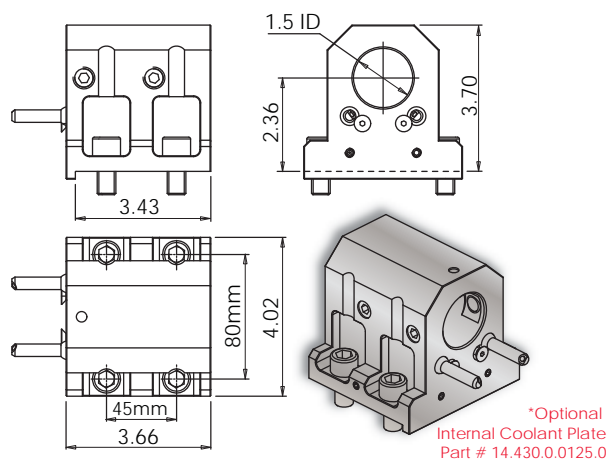
Tool #	Reversible	Coolant	ID (Inches)	Mounting Bolt Centers
L250-ID-V	No	External (IC Optional)*	1.25	45mm x 70mm

1.5" ID Holder: LB3000 L • LU3000 L • GENOS L3000 L / L400



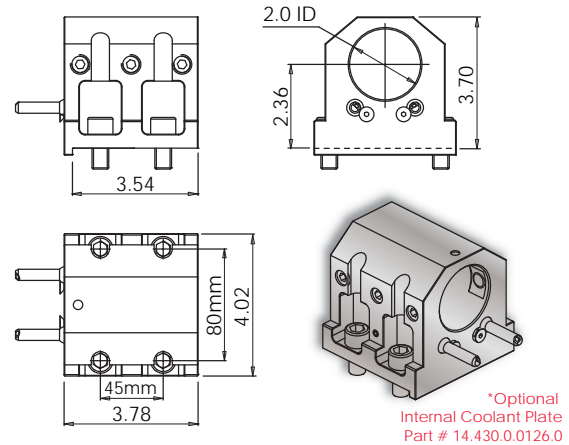
Tool #	Reversible	Coolant	ID (Inches)	Mounting Bolt Centers
14.910.0.0281.1	No	External (IC Optional)*	1.5	45mm x 80mm

1.5" ID Holder: LB4000 L • LU4000 L



Tool #	Reversible	Coolant	ID (Inches)	Mounting Bolt Centers
14.910.0.0284.0	No	External (IC Optional)*	1.5	45mm x 80mm

2" ID Holder: LB4000 L • LU4000 L



Tool #	Reversible	Coolant	ID (Inches)	Mounting Bolt Centers
14.910.0.0289.0	No	External (IC Optional)*	2.0	45mm x 80mm