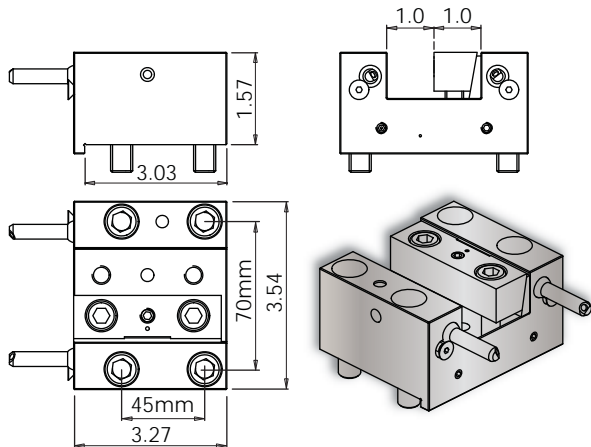


VELOCITY TOOLING FOR OKUMA "L" TURRET LATHES

"L" Turret Holders

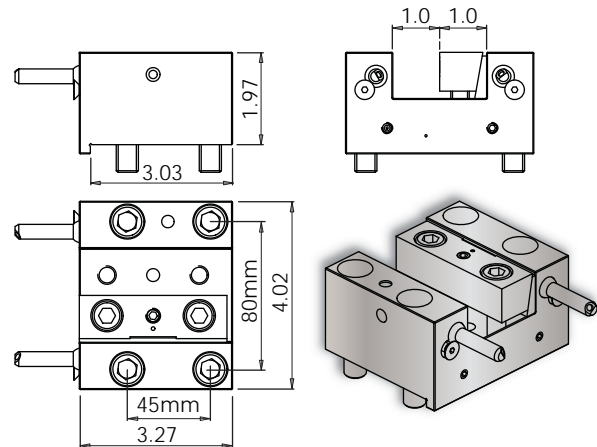


**OD-II Holder:
GENOS L250 • GENOS L2000L**



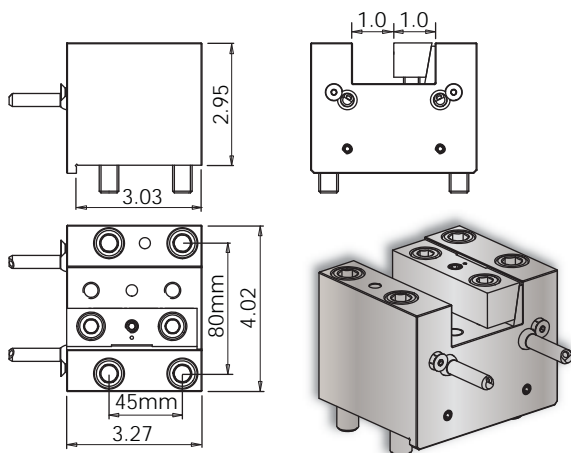
Tool #	Reversible	Coolant	Stick Size (Inches)	Mounting Bolt Centers
LB9/10-8411	No	External	1.0	45mm x 70mm

**OD-II Holder:
LB/LU3000 L • LB/LU4000 L • GENOS L3000 L / L400**



Tool #	Reversible	Coolant	Stick Size (Inches)	Mounting Bolt Centers
14.910.0.0283.0	No	External	1.0	45mm x 80mm

**OD-II Holder:
Multus U3000/U4000/U5000 L/C**



Tool #	Reversible	Coolant	Stick Size (Inches)	Mounting Bolt Centers
14.910.0.0428.0	No	External	1.0	45mm x 80mm

Notes

All GENOS machines use bolt style clamping slotted turrets. Wedge style clamping OD-I tool holders cannot be used on GENOS machines.

