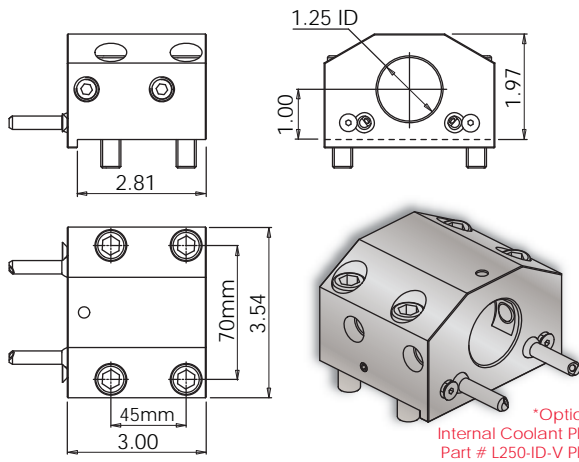


# VELOCITY TOOLING FOR OKUMA "L" TURRET LATHES

## "L" Turret Holders



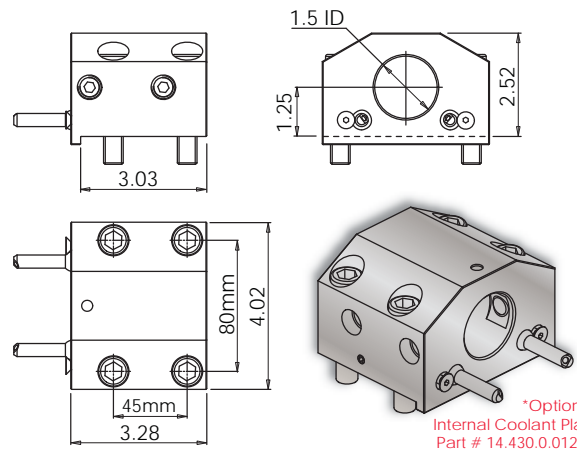
### 1.25" ID Holder: GENOS L250 • GENOS L2000L



\*Optional  
Internal Coolant Plate  
Part # L250-ID-V Plate

Tool #	Reversible	Coolant	ID (Inches)	Mounting Bolt Centers
L250-ID-V	No	External (IC Optional)*	1.25	45mm x 70mm

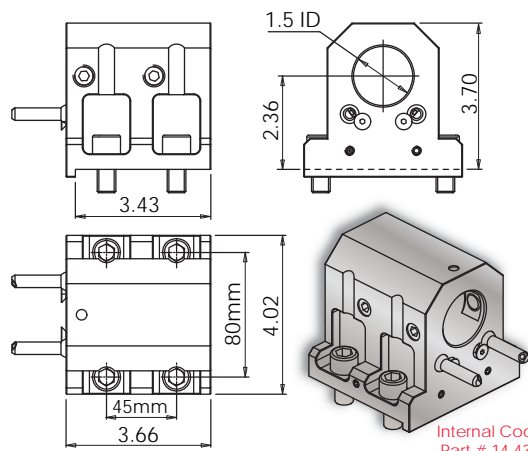
### 1.5" ID Holder: LB3000 L • LU3000 L • GENOS L3000 L / L400



\*Optional  
Internal Coolant Plate  
Part # 14.430.0.0125.0

Tool #	Reversible	Coolant	ID (Inches)	Mounting Bolt Centers
14.910.0.0281.1	No	External (IC Optional)*	1.5	45mm x 80mm

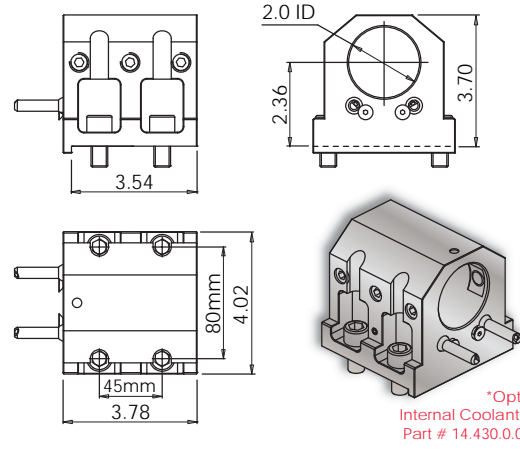
### 1.5" ID Holder: LB4000 L • LU4000 L



\*Optional  
Internal Coolant Plate  
Part # 14.430.0.0125.0

Tool #	Reversible	Coolant	ID (Inches)	Mounting Bolt Centers
14.910.0.0284.0	No	External (IC Optional)*	1.5	45mm x 80mm

### 2" ID Holder: LB4000 L • LU4000 L



\*Optional  
Internal Coolant Plate  
Part # 14.430.0.0126.0

Tool #	Reversible	Coolant	ID (Inches)	Mounting Bolt Centers
14.910.0.0289.0	No	External (IC Optional)*	2.0	45mm x 80mm