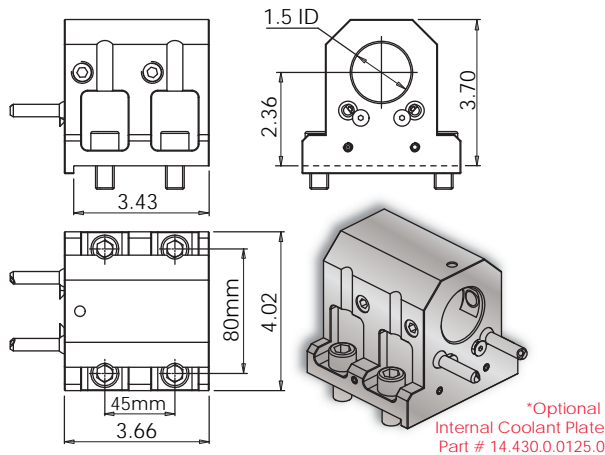


VELOCITY TOOLING FOR OKUMA "L" TURRET LATHES

"L" Turret Holders

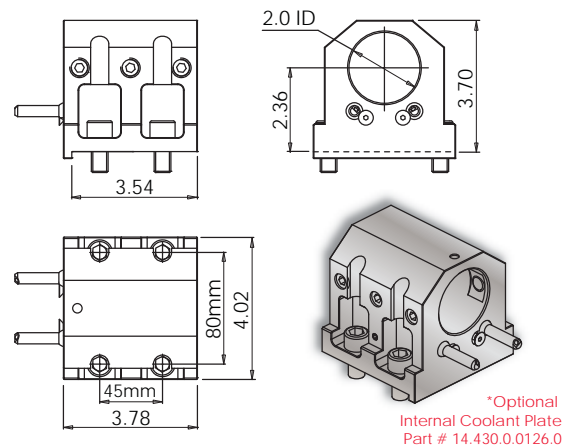


**1.5" ID Holder:
LB4000 L • LU4000 L**



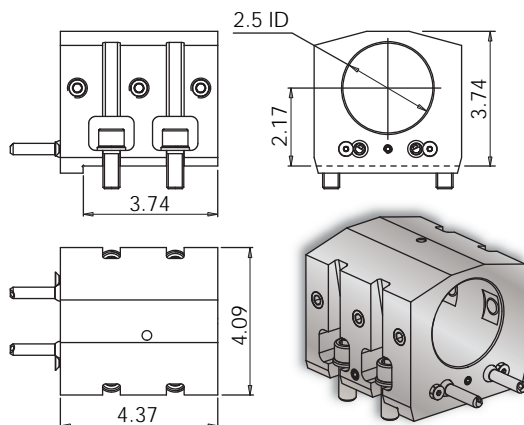
Tool #	Reversible	Coolant	ID (Inches)	Mounting Bolt Centers
14.910.0.0284.0	No	External (IC Optional)*	1.5	45mm x 80mm

**2" ID Holder:
LB4000 L • LU4000 L**



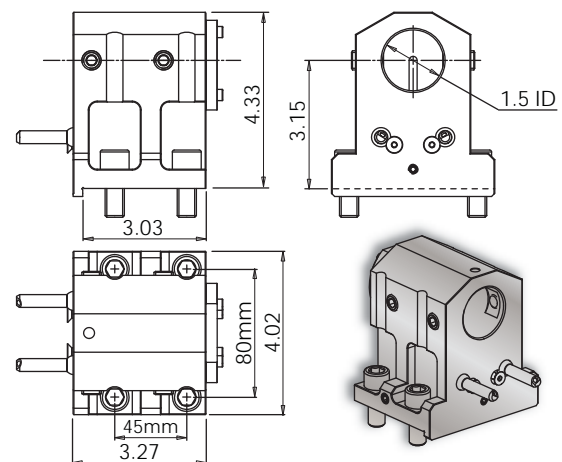
Tool #	Reversible	Coolant	ID (Inches)	Mounting Bolt Centers
14.910.0.0289.0	No	External (IC Optional)*	2.0	45mm x 80mm

**2.5" ID Holder:
LB4000 L • LU4000 L**



Tool #	Reversible	Coolant	ID (Inches)	Mounting Bolt Centers
14.910.0.0411.0	No	External	2.5	45mm x 80mm

**1.5" ID Holder:
Multus U3000/U4000 L/C**



Tool #	Reversible	Coolant	ID (Inches)	Mounting Bolt Centers
14.910.0.0429.0	No	IC/EXT	1.5	45mm x 80mm