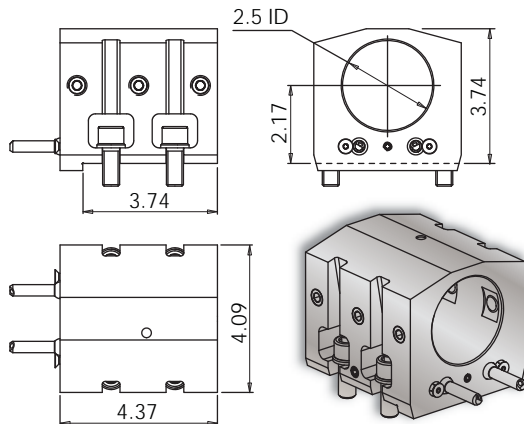


VELOCITY TOOLING FOR OKUMA "L" TURRET LATHES

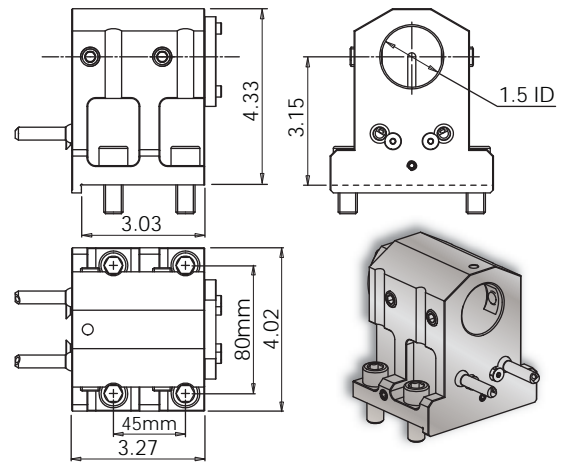
"L" Turret Holders



2.5" ID Holder:
LB4000 L • LU4000 L



1.5" ID Holder:
Multus U3000/U4000/U5000 L/C



Tool #	Reversible	Coolant	ID (Inches)	Mounting Bolt Centers
14.910.0.0411.0	No	External	2.5	45mm x 80mm

Tool #	Reversible	Coolant	ID (Inches)	Mounting Bolt Centers
14.910.0.0429.0	No	IC/EXT	1.5	45mm x 80mm

