

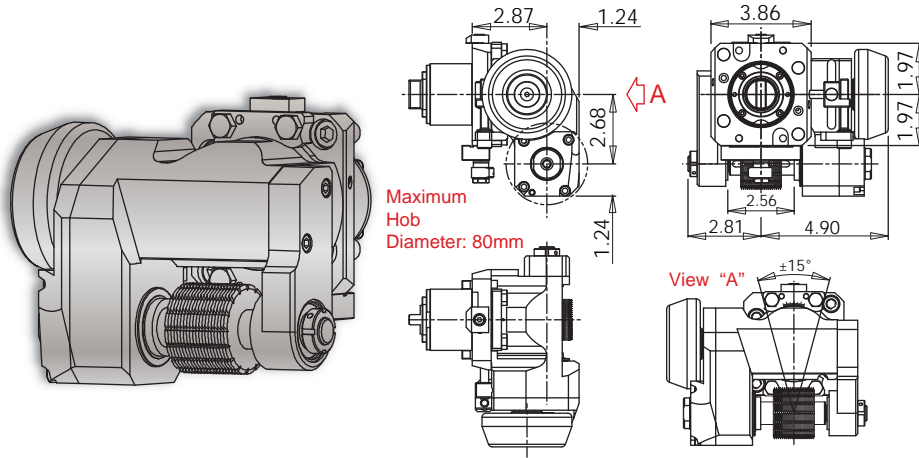
VELOCITY TOOLING FOR OKUMA LU3000 M/MY

Live Tools



LU3000 Gear Hobbing Tool • 3/4" Arbor

Notes



Wrenches Included with Tools

Maximum Hob Ø	Max. Gear Quality
---------------	-------------------

80 mm	AGMA 7
-------	--------

Turret Plugs	14.430.0.0086.0
--------------	-----------------

VELOCITY/SU-matic driven tools are greased for life and delivered ready to use - **no run-in required**. All driven tools are CMM inspected and internal coolant tools are pressure tested as a final quality check prior to shipment.

Tool #	Coolant	Arbor Diameter	Rotation (In:Out)	Ratio (In:Out)	Max. RPM	Torque	3/4" Arbor
14.800.0.0228.0	EXT	3/4"	CW:CCW	2:1	3,000	50 Nm	14.420.0.0126.0

