

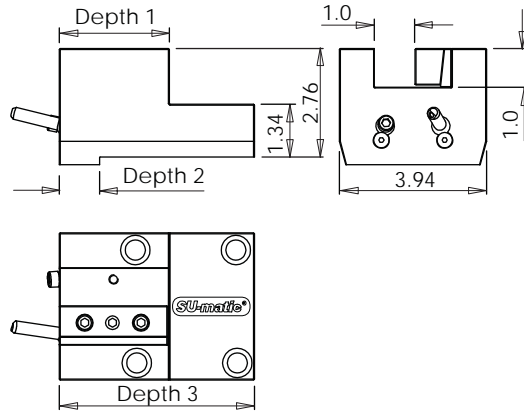
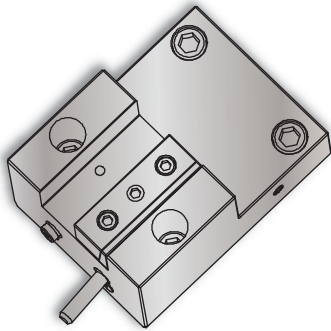
VELOCITY TOOLING FOR OKUMA LU3000 M/MY

Static Tools



LU3000 M OD-II Face Turning Holder

Notes



3D Models (.stp) and CAS (.stl) files are available for all *VELOCITY/SU-matic* tool holders. Please contact Velocity: sales@velocityproducts.com.

Turret Plugs 14.430.0.0086.0

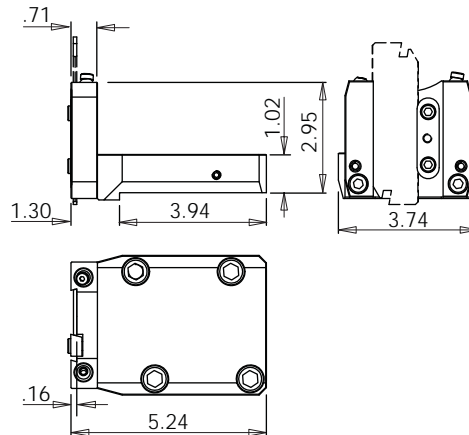
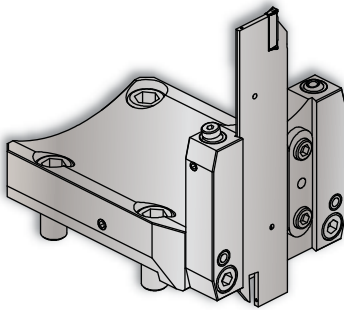
VELOCITY/SU-matic tooling for OKUMA is manufactured on OKUMA machine tools.

VELOCITY has the most complete inventory of tooling for OKUMA machine tools in North America.

Lathe Model	Tool #	Reversible (Main/Sub)	Stick Size	Depth 1	Depth 2	Depth 3
LU3000 M	14.910.0.0210.0	Yes	1.0"	2.80"	1.02"	4.96"

LU3000 M Cut-Off Blade Holder • Basic

Notes



3D Models (.stp) and CAS (.stl) files are available for all *VELOCITY/SU-matic* tool holders. Please contact Velocity: sales@velocityproducts.com.

Turret Plugs 14.430.0.0086.0

VELOCITY/SU-matic tooling for OKUMA is manufactured on OKUMA machine tools.

VELOCITY has the most complete inventory of tooling for OKUMA machine tools in North America.

Lathe Model	Tool #	Reversible (Main/Sub)	Blade Size	Depth	Width	Height
LU3000 M	14.910.0.0169.1	Yes	32 mm	5.24"	3.74"	2.95"