

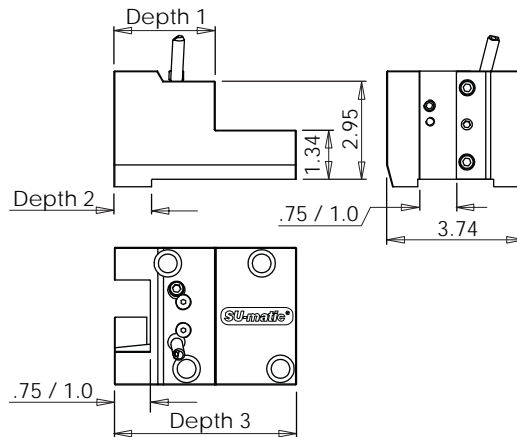
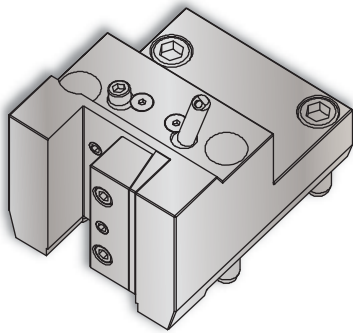
# VELOCITY TOOLING FOR OKUMA LU3000 M/MY

## Static Tools



### LU3000 M OD-I Length Turning Holder

### Notes



3D Models (.stp) and CAS (.stl) files are available for all **VELOCITY/SU-matic** tool holders. Please contact Velocity: [sales@velocityproducts.com](mailto:sales@velocityproducts.com).

Turret Plugs	14.430.0.0086.0
--------------	-----------------

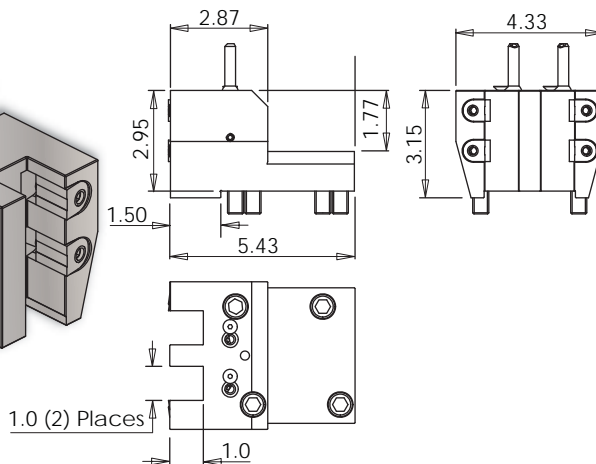
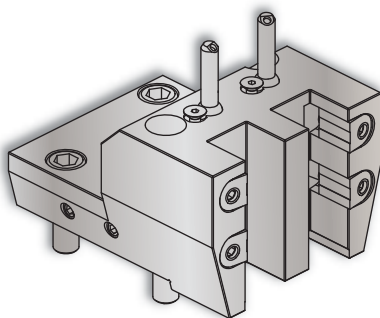
**VELOCITY/SU-matic** tooling for OKUMA is manufactured on OKUMA machine tools.

**VELOCITY** has the most complete inventory of tooling for OKUMA machine tools in North America.

Lathe Model	Tool #	Reversible (Main/Sub)	Stick Size	Depth 1	Depth 2	Depth 3
LU3000 M	14.910.0.0209.0	Yes	1.0"	2.76"	1.02"	4.96"

### LU3000 MY OD-I Length Turning Holder

### Notes



3D Models (.stp) and CAS (.stl) files are available for all **VELOCITY/SU-matic** tool holders. Please contact Velocity: [sales@velocityproducts.com](mailto:sales@velocityproducts.com).

Turret Plugs	14.430.0.0086.0
--------------	-----------------

**VELOCITY/SU-matic** tooling for OKUMA is manufactured on OKUMA machine tools.

**VELOCITY** has the most complete inventory of tooling for OKUMA machine tools in North America.

Lathe Model	Tool #	Reversible (Main/Sub)	Stick Size	Depth	Width	Height
LU3000 MY	14.910.0.0392.0	Yes	1.0"	5.43"	4.33"	2.95"